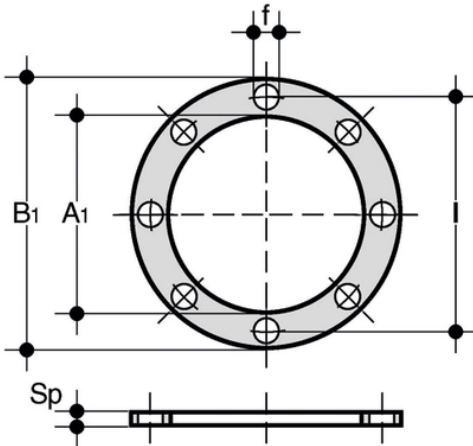


QHV/Y

Self centering gasket in EPDM and FKM for stubs and flanges according to DIN 2501 and DIN 8063



Κωδικός Προϊόντος	tooltiplmage	d	DN	A[5:1]	B[5:1]	F	l	U	Sp
QHVV020E	-	20 - 1/2"	15	17	95	14	65	4	2
QHVV025E	-	25 - 3/4"	20	22	107	14	76,3	4	2
QHVV032E	-	32 - 1"	25	28	117	14	86,5	4	2
QHVV040E	-	40 - 1 1/4"	32	36	142,5	18	101	4	2
QHVV050E	-	50 - 1 1/2"	40	45	153,3	18	111	4	2
QHVV063E	-	63 - 2"	50	57	168	18	125,5	4	2
QHVV075E	-	75 - 2 1/2"	65	71	187,5	18	145,5	4	3
QHVV090E	-	90 - 3"	80	84	203	18	160	8	3
QHVV110E	-	110 - 4"	100	102	223	18	181	8	3