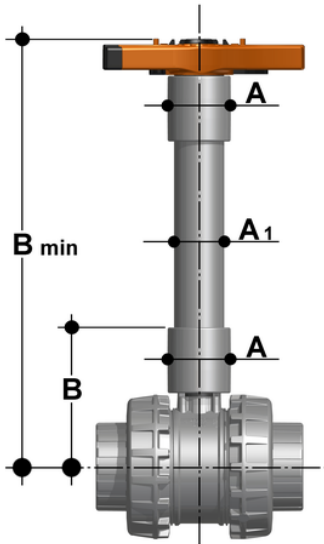


# PSE

Stem extension



Κωδικός προϊόντος	tooltiplmage	d	inch	DN	A	A[5:1]	B	B min	product.detail.attribute.Ø ASTM-BS pipe inch	Ø Pipe	to be used with:
PSE090	-	90	3&quot;	80	76	63	166	371	2&quot;	63	VEE-VXE
PSE110	-	110	4&quot;	100	76	63	186	433	2&quot;	63	VEE-VXE
PSE300	-	-	-	-	-	-	-	-	-	-	-
PSE400	-	-	-	-	-	-	-	-	-	-	-

## PSE

- Upper part (PVC-U)
  - Bottom part (PVC-U)
  - Bolts (zinc plated steel)
  - Nuts (zinc plated steel )
  - Gasket (NBR)
  - Reinforcing ring (Stainless steel)
- The reinforcing bush are used to reinforce the pipe PE100 (SDR11) e PE-X, to along the lifetime of the pipeline and to reduce the collapse risk of the pipe in disadvantages conditions. They use is particularly suggested using PE-X pipes. The two tightening keys (d.16-63 and d.75-110) are important tools to install the **MAGNUM 3G** fittings