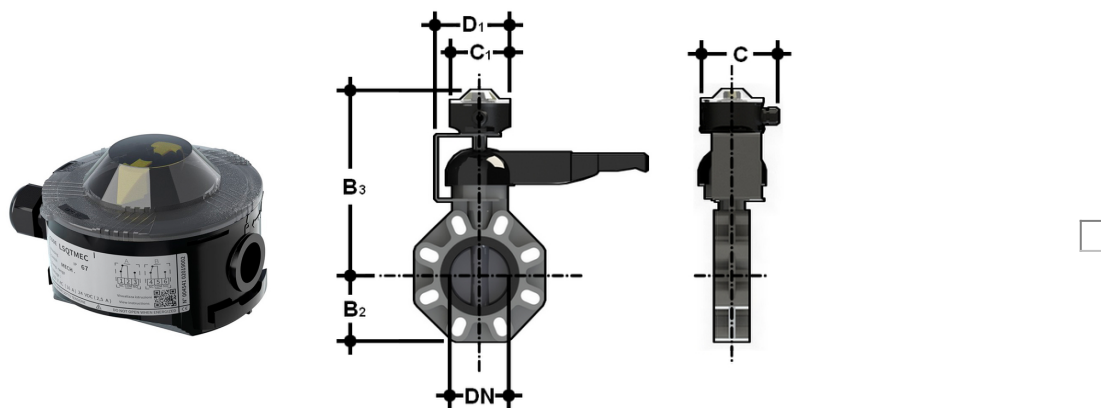


# Electromechanical microswitches box

IP67 box containing two electro-mechanical microswitches and configurable optical indicator



Κωδικός Προϊόντος	tooltplmage
LSQTMEC	-
LSQTMEC	-
LSQTMEC	-
LSQTMEC	-
LSQTMEC	-
LSQTMEC	-
LSQTMEC	-
LSQTMEC	-

# Electromechanical microswitches box

- Upper part (PVC-U)
  - Bottom part (PVC-U)
  - Bolts (zinc plated steel)
  - Nuts (zinc plated steel )
  - Gasket (NBR)
  - Reinforcing ring (Stainless steel)
- The reinforcing bush are used to reinforce the pipe PE100 (SDR11) e PE-X, to elong the lifetime of the pipeline and to reduce the collapse risk of the pipe in disadvantages conditions. They use is particularly suggested using PE-X pipes. The two tightening keys (d.16-63 and d.75-110) are important tools to install the **MAGNUM 3G** fittings