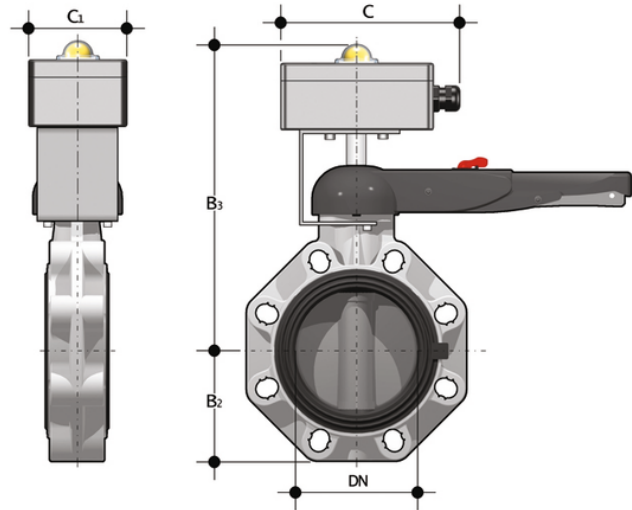


Inductive PNP microswitches box

Microswitches box IP 67 with two inductive Namur (2 wires) sensors and optical position indicator



Κωδικός προϊόντος	tooltplmage
LSQTNAM	-
LSQTNAM	-
LSQTNAM	-
LSQTNAM	-
LSQTNAM	-
LSQTNAM	-
LSQTNAM	-
LSQTNAM	-

Inductive PNP microswitches box

- Upper part (PVC-U)
 - Bottom part (PVC-U)
 - Bolts (zinc plated steel)
 - Nuts (zinc plated steel)
 - Gasket (NBR)
 - Reinforcing ring (Stainless steel)
- The reinforcing bush are used to reinforce the pipe PE100 (SDR11) e PE-X, to elong the lifetime of the pipeline and to reduce the collapse risk of the pipe in disadvantages conditions. They use is particularly suggested using PE-X pipes. The two tightening keys (d.16-63 and d.75-110) are important tools to install the **MAGNUM 3G** fittings