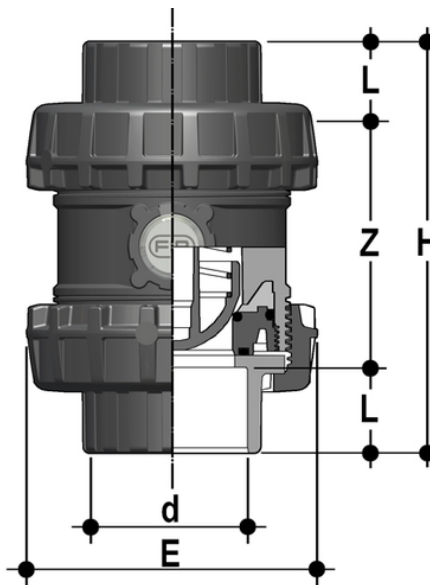


# SSEIV – Easyfit True Union ball and spring Αντεπίστροφο Μπίλιας και Ελατηρίου

Easyfit spring check valve with female ends for solvent welding, metric series



## EPDM

| Κωδικός προϊόντος | tooltiplmage | d   | DN  | PN | E   | H   | L  | Z   | g    |
|-------------------|--------------|-----|-----|----|-----|-----|----|-----|------|
| SSEIV075EOP       | -            | 75  | 65  | 16 | 157 | 211 | 44 | 123 | 2480 |
| SSEIV090EOP       | -            | 90  | 80  | 16 | 174 | 248 | 51 | 146 | 3090 |
| SSEIV110EOP       | -            | 110 | 100 | 16 | 212 | 283 | 61 | 161 | 5370 |

## FKM

| Κωδικός Προϊόντος | tooltiplmage | d   | DN  | PN | E   | H   | L  | Z   | g    |
|-------------------|--------------|-----|-----|----|-----|-----|----|-----|------|
| SSEIV075FOP       | -            | 75  | 65  | 16 | 157 | 211 | 44 | 123 | 2480 |
| SSEIV090FOP       | -            | 90  | 80  | 16 | 174 | 248 | 51 | 146 | 3090 |
| SSEIV110FOP       | -            | 110 | 100 | 16 | 212 | 283 | 61 | 161 | 5370 |

# SSEIV – Easyfit True Union ball and spring Αντεπίστροφο Μπίλιας και Ελατηρίου

- **Customisable Labelling System: built-in LCE module** on the valve body made up of transparent protection plug and customisable tag holder using the LSE set (available as accessory). The customisation potential lets you **identify the valve on the system** according to specific needs
- **Optimised dynamic fluid design:** energy savings due to the improved valve Kv value and consequent reduced pressure drop
- High surface finish ball shutter: **reduced wear**, longer working life and reduced valve maintenance. Ideal to convey dirty fluids, even with suspended fluids or filaments, thanks to the special design that permits **internal valve selfcleaning**
- **Locked ball seat carrier:** safe dismounting for maintenance with the Easyfit multifunctional handle
- Ideal for horizontal installations: **perfect seal even with low back pressure. Silent** and durable even with strong vibrations and pulsating fluid
- PVC-U shutter and springs available in STAINLESS Steel 316, A316 PTFE encapsulated: maximum reliability in a **wide field of applications** from salt water to aggressive acids
  
- Connection system for solvent weld and threaded joints
- **Valve material compatibility** (PVC-U) with water, drinking water and other food substance conveyance according to **current regulations**
- **PN16 True Union valve body** made for PVC-U injection moulding and European Directive 2014/68/EU (PED) compliant for pressurised equipment. ISO 9393 compliant test requirements
- Easy radial dismounting and fully interchangeable with VEE and VXE 65-100 valve models
- Union nut profile that perfectly adapts to the Easyfit multifunctional handle hooked insert (available as an accessory) that lets you control union nut rotation
- **Vertical** (preferable for SXE model) and **horizontal installation** potential