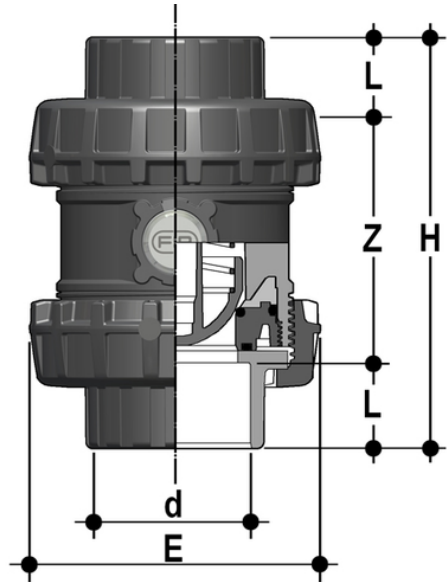


SSELV/PTFE – Easyfit True Union ball and spring check valve DN 65:100

Easyfit spring check valve with female ends for solvent welding, BS series. Spring in A316, PTFE coated. Diameter d 2 1/2" BS is equal to d75 metric (code SSEIV075EOP / SSEIV075FOP).



EPDM

Κωδικός Προϊόντος	tooltiplmage
SSELV300EOP	-
SSELV400EOP	-

FKM

Κωδικός Προϊόντος	tooltiplmage
SSELV300FOP	-
SSELV400FOP	-