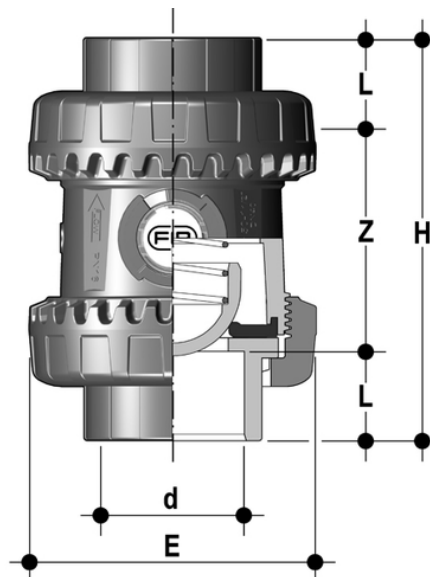


SSEAC/Hastelloy – Easyfit True Union spring check valve DN 10:50

Easyfit spring check valve with female ends for solvent welding, ASTM series. Spring in Hastelloy C276.



EPDM

Κωδικός Προϊόντος	tooltiplmage
SSEAC012EH	-
SSEAC034EH	-
SSEAC100EH	-

FKM

Κωδικός Προϊόντος	tooltiplmage
SSEAC012FH	-
SSEAC034FH	-
SSEAC100FH	-