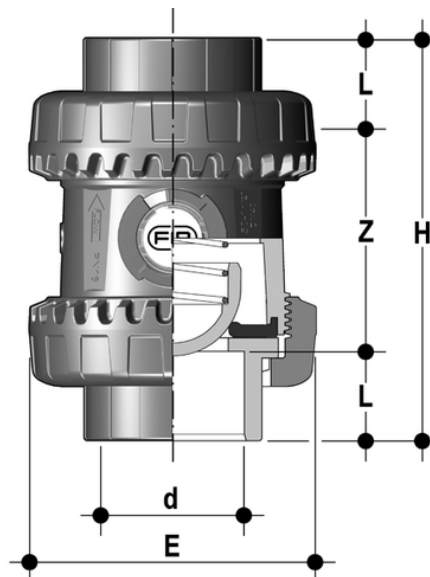


# SSEAC/PTFE - Easyfit True Union spring check valve DN 10:50

Easyfit spring check valve with female ends for solvent welding, ASTM series. Spring in A316, PTFE coated.



## EPDM

Κωδικός Προϊόντος	tooltiplmage
SSEAC114E0P	-
SSEAC112E0P	-
SSEAC200E0P	-

## FKM

Κωδικός Προϊόντος	tooltiplmage
SSEAC114F0P	-
SSEAC112F0P	-
SSEAC200F0P	-