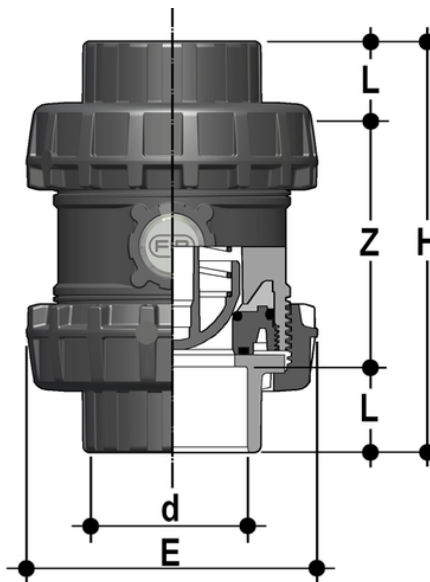


SSEAC/PTFE – Easyfit True Union spring check valve DN 65:100

True Union Check Valve Easyfit with ASTM plain socket ends for solvent welding. Spring in A316, PTFE coated.



EPDM

Κωδικός Προϊόντος	tooltiplmage
SSEAC212E0P	-
SSEAC300E0P	-
SSEAC400E0P	-

FKM

Κωδικός Προϊόντος	tooltiplmage
SSEAC212F0P	-
SSEAC300F0P	-
SSEAC400F0P	-