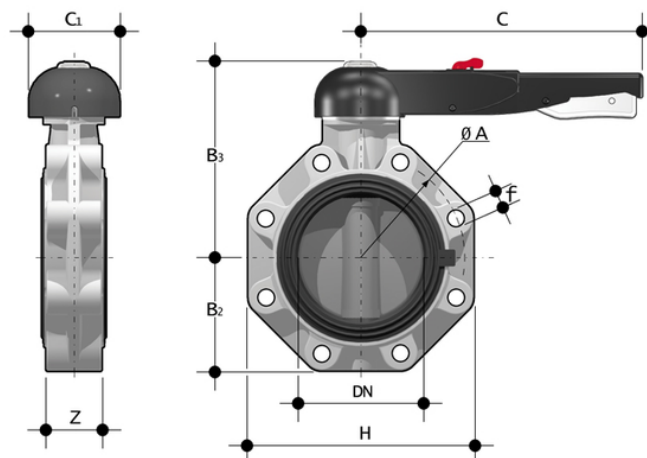


FKOF/LM LUG ISO-DIN - Βάνα Πεταλούδα

Hand operated Butterfly valve, version Lug ISO-DIN



Κωδικός προϊόντος	tooltiplmage	d	DN	PN	product.detail.attribute.øA	B[5:2]	B[5:3]	C	C[5:1]	f	H	U	Z	g
FKOLFLM075F0SF	-	75	65	10	145	80	164	175	110	M16	165	4	46	1970
FKOLFLM090F0SF	-	90	80	10	160	93	178	175	100	M16	185	12	49	2820
FKOLFLM110F0SF	-	110	100	10	180	107	192	272	110	M16	211	8	56	3170
FKOLFLM140F0SF	-	140	125	10	210	120	212	330	110	M16	240	8	64	4900
FKOLFLM160F0SF	-	160	150	10	240	134	225	330	110	M20	268	8	70	5700

FKOF/LM LUG ISO-DIN - Βάνα

Πεταλούδα

- **Ergonomic handle** in HIPVC equipped with **locking and unlocking device, release, quick operation and graduated adjustment** in 10 intermediate positions (DN 40F-200). The operating range, starting from the first few degrees of valve opening, also guarantees extremely low pressure drops.
- **Customisable Labelling System:** integrated module in the handle, made of a transparent protection plug and a customisable tag holder using the LSE set (available as an accessory). The **customisation** lets you **identify the valve on the system** according to specific needs.
- **STAINLESS steel square section stem** completely isolated from the fluid complying with standard ISO 5211: DN 40F-65: 11 mm DN 80F-100: 14 mm DN 125F-150: 17 mm DN 200: 22 mm DN 250F-400: 27 mm
- **Body** in polypropylene based **compound reinforced with fibreglass (PP-GR)** **resistant to UV rays** and characterised by **high mechanical strength**.
- **Drilling pattern using oval slots** that allow coupling to flanges according to numerous international standards. The special **self-centring inserts in ABS** supplied for DN 40F-200 guarantee the **correct axial alignment** of the valve during installation. For DN 250F-400 valves, the drilling pattern for the selfcentring system is of the traditional type according to DIN and ANSI standards.
- **Interchangeable liner** with the dual function of forming a hydraulic seal and isolating the body from the fluid.
- Interchangeable Disk in PVDF with through shaft, available in different thermoplastic materials: PVC-U, PP-H, PVC-C, ABS Overall dimensions of the valve in accordance with standard ISO 5752 (DN 40F-200 Medium Series 25, DN 250F-300 Long Series 16) and DIN 3202 K2 and ISO 5752 (DN 65F-200 K2, DN 250F-300 K3) Can also be installed as an end line valve, bottom discharge valve or tank dump valve [1:Special Lug version] PN 10 fully drilled according to DIN 2501 or ANSI B16.5 cl.150 [1:with molded-in AISI 316 stainless steel threaded inserts] Possibility of installing a manual reducer or pneumatic and/or electric actuators by applying an ISO standard drilling PP-GR flanges. DN 40 F- 200 valve equipped with plate with rack in PP-GR. For actuated versions with flange drilled according to ISO 5211 F05, F07, F10. DN 250F-300 valve, fitted with one-piece top flange in high mechanical strength PP-GR with mounting flange for internal components drilled according to standard ISO 5211 F10 (excluding DN 350F-400), F12, F14. Possibility to have handle with integrated LSQT limit micro switch, even as a retrofit in existing installations