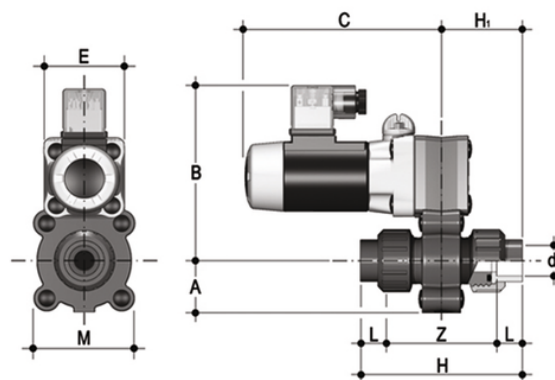


# S12IV - TRUE UNION 2-WAY Βάνα Σοληνοειδή

2 way solenoid valve with female union ends for solvent welding Function: Normally closed



## EPDM

Κωδικός προϊόντος	tooltplmage
S22IV0816E012C	-
S22IV0820E012C	-
S22IV1016E012C	-
S22IV1020E012C	-
S22IV1516E012C	-
S22IV1520E012C	-

## S12IV - TRUE UNION 2-WAY Βάνα Σοληνοειδή

Κωδικός Προϊόντος	tooltplmage
S22IV0816F012C	-
S22IV0820F012C	-
S22IV1016F012C	-
S22IV1020F012C	-
S22IV1516F012C	-
S22IV1520F012C	-

# S12IV - TRUE UNION 2-WAY Βάνα Σοληνοειδή

- Installation flexibility and ease of maintenance: high-performance solenoid electric actuator with internal moving parts designed to exceed 5 million maintenance free operating cycles. Adjustable circular section coil with IP65 protection class.
  - DIN 43650 electrical connector supplied as standard: includes LED indicator light and rectifier (in the case of an AC coil).
  - Lever shutter in EPDM or FKM and lever in stainless steel.
  - Suitable for use with aggressive fluids: no metal component in contact with the fluid or the external environment; all the screws are covered by PE protection plugs.
  - Emergency override
- 
- 2-Way PVC-U body
  - Installation flexibility and ease of maintenance: high-performance solenoid electric actuator designed to exceed 5 million maintenance-free operating cycles
  - Adjustable circular section coil with IP65 protection class.
  - Integrated override with the possibility of being installed in 3 different positions.
  - Lever shutter in EPDM or FKM and lever in stainless steel.
  - DIN 43650 electrical connector supplied as standard: includes LED indicator light and rectifier (in the case of an AC coil).