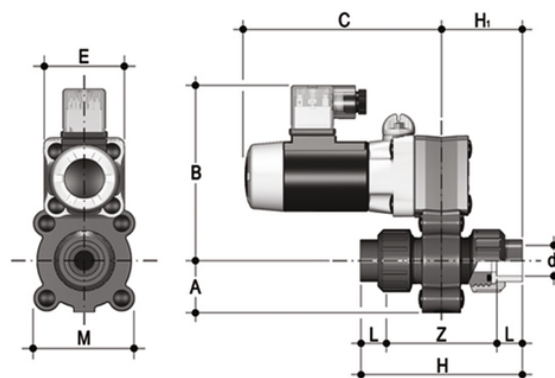


# S12IV - TRUE UNION 2-WAY Βάνα Σοληνοειδή

2 way solenoid valve with female union ends for solvent welding Function: Normally closed



## EPDM

Κωδικός προϊόντος	tooltplmage
S22LV0838E012C	-
S22LV0812E012C	-
S22LV1038E012C	-
S22LV1012E012C	-
S22LV1538E012C	-
S22LV1512E012C	-

## S12IV - TRUE UNION 2-WAY Βάνα Σοληνοειδή

Κωδικός Προϊόντος	tooltplmage
S22LV0838F012C	-
S22LV0812F012C	-
S22LV1038F012C	-
S22LV1012F012C	-
S22LV1538F012C	-
S22LV1512F012C	-

# S12IV - TRUE UNION 2-WAY Βάνα Σοληνοειδή

- Installation flexibility and ease of maintenance: high-performance solenoid electric actuator with internal moving parts designed to exceed 5 million maintenance free operating cycles. Adjustable circular section coil with IP65 protection class.
- DIN 43650 electrical connector supplied as standard: includes LED indicator light and rectifier (in the case of an AC coil).
- Lever shutter in EPDM or FKM and lever in stainless steel.
- Suitable for use with aggressive fluids: no metal component in contact with the fluid or the external environment; all the screws are covered by PE protection plugs.
- Emergency override
  
- 2-Way PVC-U body
- Installation flexibility and ease of maintenance: high-performance solenoid electric actuator designed to exceed 5 million maintenance-free operating cycles
- Adjustable circular section coil with IP65 protection class.
- Integrated override with the possibility of being installed in 3 different positions.
- Lever shutter in EPDM or FKM and lever in stainless steel.
- DIN 43650 electrical connector supplied as standard: includes LED indicator light and rectifier (in the case of an AC coil).