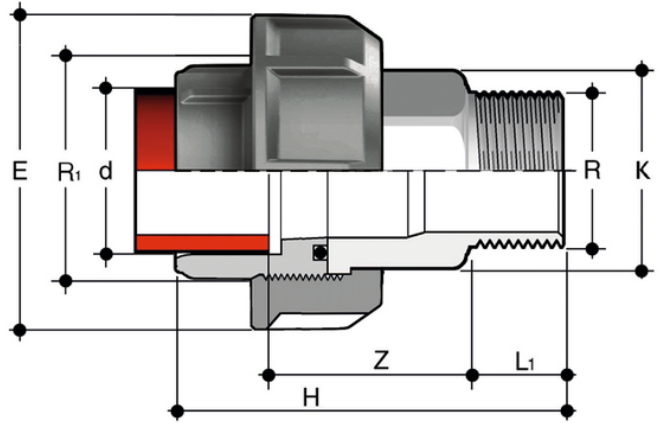
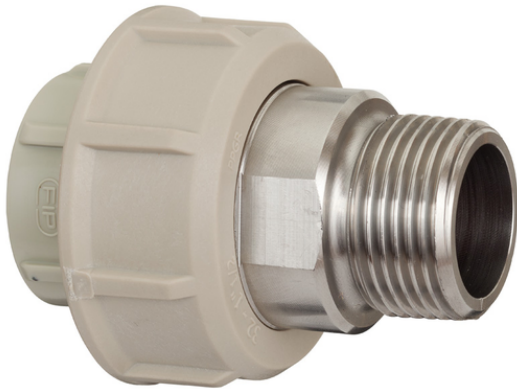


BIRXM

Adaptor union in PP-H/STAINLESS steel for socket welding (d), BSP (R) threaded A316L STAINLESS steel male end with O-Ring in EPDM or FKM



Κωδικός προϊόντος

BIRXM020012E

BIRXM025034E

BIRXM032100E

BIRXM040114E

BIRXM050112E

BIRXM063200E