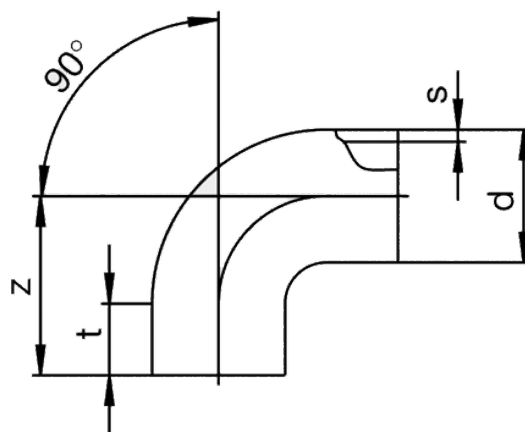


ABS 90

Γωνίες λυμάτων νερού 90° (spigot εξαρτήματα)

HD-PE fitting for use with FRIAFIT sewage sleeve AM without holding devices.

Pipe colour black with bright inner surface (according to availability)



PE 80/PE 100

Maximum testing pressure 0.5 bar in accordance to DIN EN 1610

Κωδικός προϊόντος	d	BX	t	Z	s	Weight kg
681601	160	1	100	390	9,1	3,230
681603	225	1	150	488	12,8	7,440