

# Πλάκα ενίσχυσης του Akasison XL75 με εξάρτημα αποφυγή υγρασίας

Akasison XL75 reinforcement plate according to DIN 18807 for the vapour barrier connection in siphonic roof drainage systems. Applied in insulated metal roofs in combination with roof outlet Akasison XL75. At the top of the metal plate a vapour barrier foil or bitumen can be applied. In combination with specific roofs the metal plate can be used as reinforcing plate. The HDPE socket can be connected for pre-completion building drainage when insulation and roof outlets are not yet installed.

Delivery includes: Galvanised plate.

HDPE socket.

Flange and EPDM seal.

Application: Warm roof (Metalleichtbau) and applications acc. to DIN 18234.

Connection pipe system: Electrofusion coupler Code 410795.

Ring groove for snap socket d75 mm Code 400730.

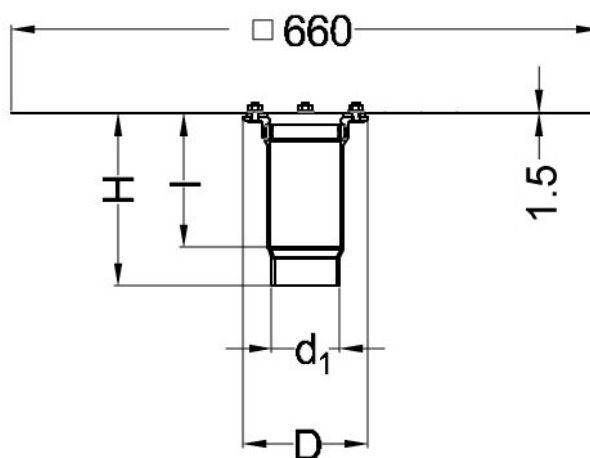
Outlet:  $d_{1<>} = 75$  mm.

Drilling core size:  $\varnothing ? 140$  mm.

Material: HDPE, galvanised steel, stainless steel, SBR, EPDM.

n = number of bolts

M = thread



Κωδικός προϊόντος	Περιγραφή	tooltiplmage	Kg	d1	D	H	n	M	l
74 77 11	Πλάκα ενίσχυσης του Akasison XL75 με εξάρτημα αποφυγή υγρασίας	-	4,543	75	140	300	4	8	200