

Πλάκα ενίσχυσης για το Akasison XL75

Akasison XL75 reinforcement plate according to DIN 18807 for the vapour barrier connection in siphonic roof drainage systems. Applied in insulated metal roofs in combination with roof outlet Akasison XL75. At the top of the metal plate a vapour barrier foil or bitumen can be applied. In combination with specific roofs the metal plate can be used as reinforcing plate.

Delivery includes: Galvanised plate.

EPDM seal.

Application: Warm roof and applications acc. to DIN 18234.

Dimension: $d_{1 \times} = 75$ mm.

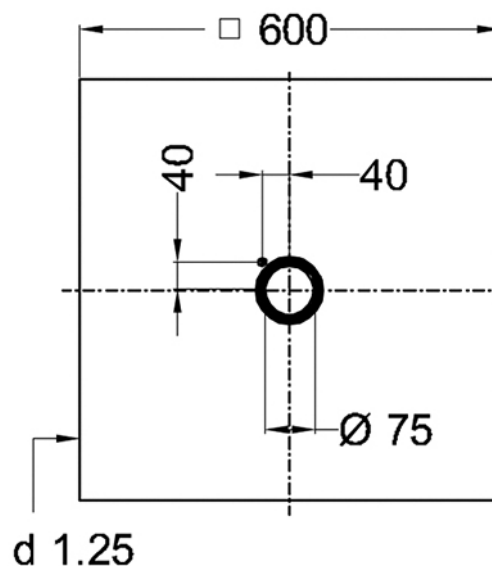
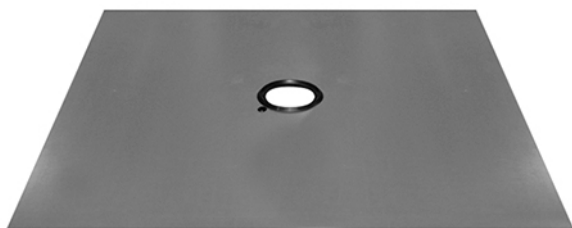
Drilling core size: $\varnothing \text{ } \text{ } 100$ mm.

Performance: 1-17,7 l/s.

Material: Galvanised steel, EPDM and PVC.

n = number of bolts

M = thread



Κωδικός προϊόντος	Περιγραφή	tooltiimage	Kg	D
74 77 12	Πλάκα ενίσχυσης για το Akasison XL75	-	4,543	140