

Απορροή ομβρίων οροφής Akasison XL75 HR PVC

Akasison roof outlet with PVC clamp flange acc. to EN 1253 for siphonic roof drainage systems. Suitable for homogeneous securing/sealing of PVC roof sealing membrane.

Delivery includes: Akasison air baffle with integrated leafguard (UV-stabilized).

Akasison roof outlet incl. PVC flange.

Connection to HDPE.

Heated models include a 230V heating element.

Application: Cold roof/warm roof.

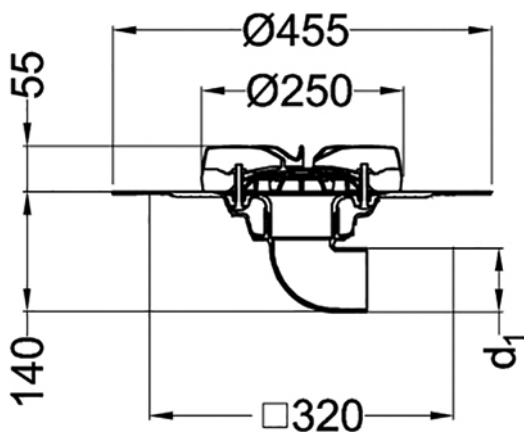
Thermal insulation: 140 mm.

Connection to HDPE: with electrofusion coupler d75 mm Code 410795.

Outlet: d1<> = 75 mm horizontally.

Performance: 1-17,7 l/s.

Material: ASA, PVC, HDPE.



Κωδικός Προϊόντος	Περιγραφή	tooltiplmage	Kg	d1	Type	description
74 75 84	Απορροή ομβρίων οροφής Akasison XL75 HR PVC	-	4,510	75	Akasison XL75 HR PVC	PVC
74 75 85	Απορροή ομβρίων οροφής Akasison XL75 HR PVC	-	4,640	75	Akasison XL75 HR H PVC	PVC, heated