

Απορροή ομβρίων οροφής Akasison 63B/90B

Roof outlet Akasison 63B/90B for bituminous sealings according to EN 1253. For siphonic roof drainage systems. Delivered with air baffle and integrated leaf guard. To be connected with connector Code 7492xx.

Application: Cold roof.

Warm roof.

Insulation thickness: n.a.

Connection pipe system: Code 74928x.

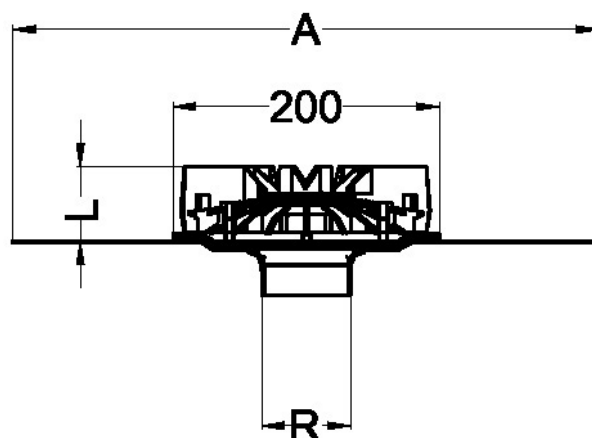
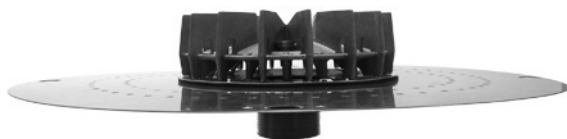
Performance: 63B = 12,90 l/s at 43 mm

90B = 29,0 l/s at 64 mm.

Material: Stainless steel body, aluminium air baffle and leaf guard, stainless steel fasteners.

n = number of bolts

M = thread



Κωδικός προϊόντος	Περιγραφή	tooltiplmage	Kg	L	Type	R
74 06 32	Απορροή ομβρίων οροφής Akasison 63B/90B	-	2,650	55	63B	2"
74 09 32	Απορροή ομβρίων οροφής Akasison 63B/90B	-	-	65	90B	3"