

## Έξοδοι υδρορροής Akasison R63/ R90

Gutter outlet according to EN 1253. For siphonic roof drainage systems. Delivered with air baffle/leaf guard. To be connected with connector Art. Nr. 7492xx.

Application: Gutter.

Insulation thickness: n.a.

Connection pipe system: Connection set Art. Nr. 7492xx.

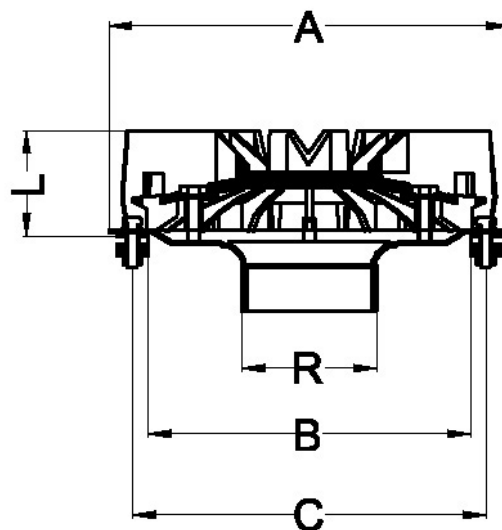
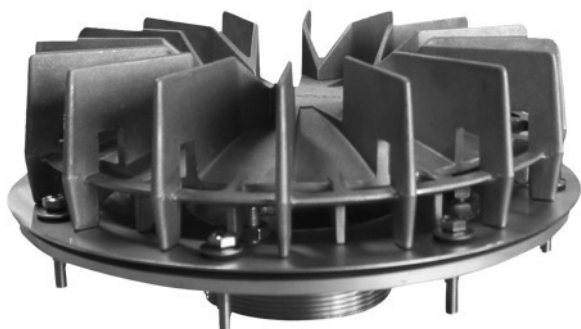
Performance: 63R = 12,90 l/s at 43 mm

90R = 29,0 l/s at 64 mm.

Material: Stainless steel body, aluminum air baffle/leaf guard, stainless steel fasteners.

N = number of bolts

M = thread



Κωδικός προϊόντος	Περιγραφή	tooltiimage	Kg	L	d1	Type	n	M	R
74 06 50	Έξοδοι υδρορροής Akasison R63/R91	-	1,350	55	63	R63	8	6	2&quot;
74 09 50	Έξοδοι υδρορροής Akasison R63/R92	-	2,400	65	90	R90	8	6	3&quot;