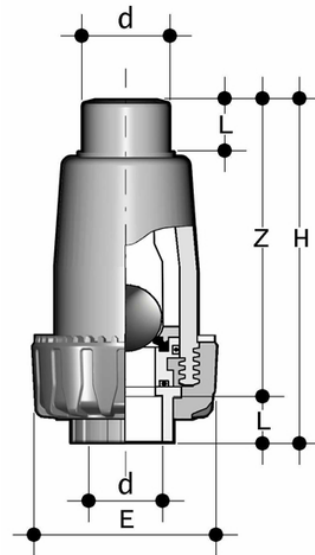


## SRIF - Αντεπίστροφο Μπίλιας

Ball check valve with ends for socket welding, metric series



Κωδικός Προϊόντος	tooltipImage	d	DN	PN	E	H	L	Z	g
SRIF020F	-	20	15	16	54	104	16	88	150
SRIF025F	-	25	20	16	65	125	19	106	260
SRIF032F	-	32	25	16	74	148	22	126	390
SRIF040F	-	40	32	16	86	171	26	145	600
SRIF050F	-	50	40	16	98	189	31	158	820
SRIF063F	-	63	50	16	119	222	38	184	1420

## SRIF - Αντεπίστροφο Μπίλιας

- Ergonomic HIPVC handle equipped with **removable tool to adjust the ball seat carrier**.
- **Handle lock 0B°- 90B°** SHKD (available as an accessory) ergonomically operable during service and padlockable
- Robust **integrated bracket for valve anchoring**, for easy and quick automation even after valve installation on the system via the Power Quick module (optional)
- **DUAL BLOCKB** patented lock system that ensures union nut tightening hold even in severe conditions such as vibrations or heat dilation
  
- Connection system for weld joints
- PN10 **valve body made for PP-H injection moulding** and European Directive 2014/68/EU (PED) compliant for pressurised equipment. ISO 9393 compliant test requirements
- The valve can only be used with fluids with specific weight under 1,20 g/cm<sup>3</sup>
- **Sealing system with antiblow out design**
- Ball entirely in talc-filled PP
- Can be maintained with the valve body installed
- Can be **installed** in either a **vertical** (preferable) or **horizontal position**