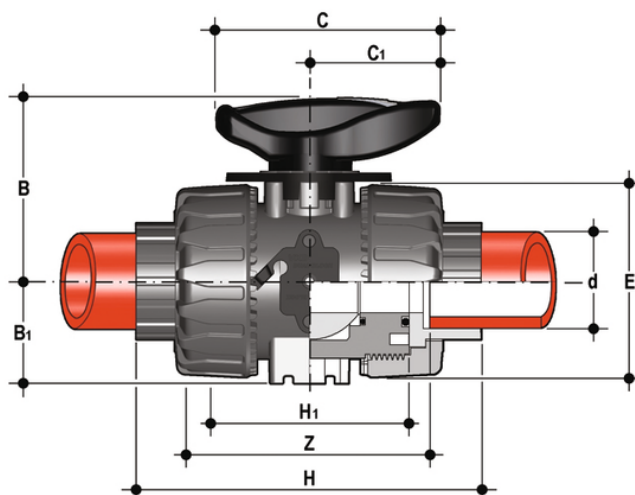


VKRIM - DUAL BLOCKB Ρυθμιστική Σφαιρική Βάνα

DUAL BLOCK^B regulating ball valve with female ends for socket welding, metric series



EPDM

Κωδικός προϊόντος	d	DN	PN	B	B[5:1]	C	C[5:1]	E	H	H[5:1]	Z
VKRIM016E	16	10	10	54	29	67	40	54	102	65	74,5
VKRIM020E	20	15	10	54	29	67	40	54	102	65	73
VKRIM025E	25	20	10	65	34,5	85	49	65	114	70	82
VKRIM032E	32	25	10	69,5	39	85	49	73	126	78	90
VKRIM040E	40	32	10	82,5	46	108	64	86	141	88	100
VKRIM050E	50	40	10	89	52	108	64	98	164	93	117
VKRIM063E	63	50	10	108	62	134	76	122	199	111	144

EPDM

Κωδικός προϊόντος	d	DN	PN	B	B[5:1]	C	C[5:1]	E	H	H[5:1]	Z
VKRIM016EOLF	16	10	10	54	29	67	40	54	102	65	74,5
VKRIM020EOLF	20	15	10	54	29	67	40	54	102	65	73
VKRIM025EOLF	25	20	10	65	34,5	85	49	65	114	70	82
VKRIM032EOLF	32	25	10	69,5	39	85	49	73	126	78	90
VKRIM040EOLF	40	32	10	82,5	46	108	64	86	141	88	100
VKRIM050EOLF	50	40	10	89	52	108	64	98	164	93	117
VKRIM063EOLF	63	50	10	108	62	134	76	122	199	111	144

VKRIM - DUAL BLOCKB Ρυθμιστική Σφαιρική Βάνα

EPDM

Κωδικός προϊόντος	d	DN	PN	B	B[5:1]	C	C[5:1]	E	H	H[5:1]	Z
VKRIM016E0SF	16	10	10	54	29	67	40	54	102	65	74,5
VKRIM020E0SF	20	15	10	54	29	67	40	54	102	65	73
VKRIM025E0SF	25	20	10	65	34,5	85	49	65	114	70	82
VKRIM032E0SF	32	25	10	69,5	39	85	49	73	126	78	90
VKRIM040E0SF	40	32	10	82,5	46	108	64	86	141	88	100
VKRIM050E0SF	50	40	10	89	52	108	64	98	164	93	117
VKRIM063E0SF	63	50	10	108	62	134	76	122	199	111	144

FKM

Κωδικός προϊόντος	d	DN	PN	B	B[5:1]	C	C[5:1]	E	H	H[5:1]	Z
VKRIM016F	16	10	10	54	29	67	40	54	102	65	74,5
VKRIM020F	20	15	10	54	29	67	40	54	102	65	73
VKRIM025F	25	20	10	65	34,5	85	49	65	114	70	82
VKRIM032F	32	25	10	69,5	39	85	49	73	126	78	90
VKRIM040F	40	32	10	82,5	46	108	64	86	141	88	100
VKRIM050F	50	40	10	89	52	108	64	98	164	93	117
VKRIM063F	63	50	10	108	62	134	76	122	199	111	144

FKM

Κωδικός προϊόντος	d	DN	PN	B	B[5:1]	C	C[5:1]	E	H	H[5:1]	Z
VKRIM016FOLF	16	10	10	54	29	67	40	54	102	65	74,5
VKRIM020FOLF	20	15	10	54	29	67	40	54	102	65	73
VKRIM025FOLF	25	20	10	65	34,5	85	49	65	114	70	82
VKRIM032FOLF	32	25	10	69,5	39	85	49	73	126	78	90
VKRIM040FOLF	40	32	10	82,5	46	108	64	86	141	88	100
VKRIM050FOLF	50	40	10	89	52	108	64	98	164	93	117
VKRIM063FOLF	63	50	10	108	62	134	76	122	199	111	144

FKM

Κωδικός Προϊόντος	d	DN	PN	B	B[5:1]	C	C[5:1]	E	H	H[5:1]	Z
VKRIM016FOSF	16	10	10	54	29	67	40	54	102	65	74,5
VKRIM020FOSF	20	15	10	54	29	67	40	54	102	65	73
VKRIM025FOSF	25	20	10	65	34,5	85	49	65	114	70	82
VKRIM032FOSF	32	25	10	69,5	39	85	49	73	126	78	90

VKRIM - DUAL BLOCKB Ρυθμιστική Σφαιρική Βάνα

Κωδικός Προϊόντος	d	DN	PN	B	B[5:1]	C	C[5:1]	E	H	H[5:1]	Z
VKRIM040F0SF	40	32	10	82,5	46	108	64	86	141	88	100
VKRIM050F0SF	50	40	10	89	52	108	64	98	164	93	117
VKRIM063F0SF	63	50	10	108	62	134	76	122	199	111	144

VKRIM – DUAL BLOCKB Ρυθμιστική Σφαιρική Βάνα

- HIPVC ergonomic multifunctional handle with **position indicator** and tool to adjust the ball seat carrier
- Flow direction and opening angle indication plate with **graduated scale with 5B° detail** for clear and accurate readings
- 90B° operating angle that permits **the use of standard** quarter turn **actuators**
- The patented ball design provides **linear flow adjustment** throughout its range of operation even when the valve is open just a few degrees and guarantees minimum pressure drops
- Patented **DUAL BLOCKB** system: prevents union nuts from loosening even under extreme operating conditions: e.g. vibration or thermal expansion

- Connection system for solvent weld, threaded and flanged joints
- Patented **SEAT STOPB** ball carrier system that lets you micro-adjust seals and minimise the axial force effect
- Easy radial dismounting allowing quick replacement of O-rings and ball seats without any need for tools
- **PN16 True Union valve body** made for rigid PVC-U injection moulding equipped with built-in bores for actuation. ISO 9393 compliant test requisites
- Option of dismounting downstream pipes with the valve in the closed position
- High surface finish stem with double O-Ring and double connection key to ball
- **Integrated bracket** for valve anchoring
- Ball seat carrier can be adjusted using the **Easytorque adjustment kit**
- Actuation option: version with electric modulating actuator with 4-20 mA / 0-10 V inlet and 4-20 mA / 0-10 V outlet to monitor the position
- Valve suitable for carrying fluids that are clean and free of suspended particles