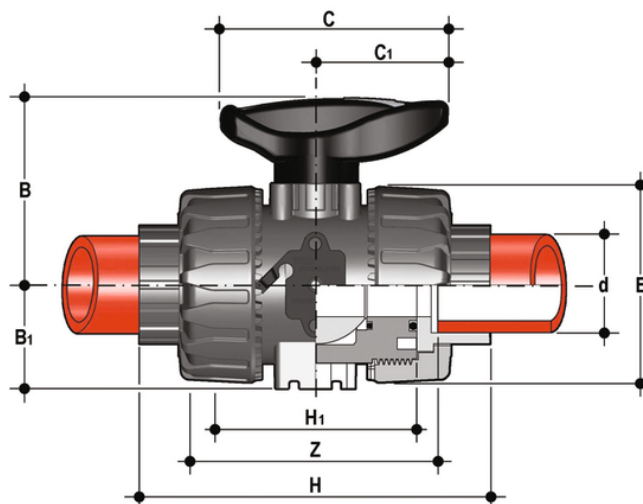


VKDIF - DUAL BLOCKB 2-way Βάνα Σφαιρική

DUAL BLOCK^B 2-way ball valve with female ends for socket welding, metric series



VKDIF - DUAL BLOCKB 2-way Βάνα Σφαιρική

Κωδικός προϊόντος

VKDIF016F

VKDIF020F

VKDIF025F

VKDIF032F

VKDIF040F

VKDIF050F

VKDIF063F

VKDIF - DUAL BLOCKB 2-way Βάνα Σφαιρική

Κωδικός προϊόντος

VKDIF016FOLF

VKDIF020FOLF

VKDIF025FOLF

VKDIF032FOLF

VKDIF040FOLF

VKDIF050FOLF

VKDIF063FOLF



VKDIF - DUAL BLOCKB 2-way Βάνα Σφαιρική

VKDIF - DUAL BLOCKB 2-way Βάνα Σφαιρική

Κωδικός προϊόντος
VKDIF016F0SF
VKDIF020F0SF
VKDIF025F0SF
VKDIF032F0SF
VKDIF040F0SF
VKDIF050F0SF
VKDIF063F0SF

VKDIF - DUAL BLOCKB 2-way Βάνα

Σφαιρική

- Ergonomic HIPVC handle equipped with **removable tool to adjust the ball seat carrier**.
- **Handle lock 0B°- 90B°** SHKD (available as an accessory) ergonomically operable during service and padlockable
- Robust **integrated bracket for valve anchoring**, for easy and quick automation even after valve installation on the system via the Power Quick module (optional)
- **DUAL BLOCKB** patented lock system that ensures union nut tightening hold even in severe conditions such as vibrations or heat dilation
- Machined high surface finish ball that guarantees a smooth operation and increased reliability

- Connection system for solvent weld, threaded and flanged joints
- Patented **SEAT STOPB** ball carrier system that lets you micro-adjust ball seats and minimise the axial force effect
- Easy radial dismounting allowing quick replacement of O-rings and ball seats without any need for tools
- **PN16 True Union valve body** made for rigid PVC-U injection moulding equipped with built-in bores for actuation. ISO 9393 compliant test requisites
- Option of dismounting downstream pipes with the valve in the closed position
- Floating **full bore ball** with high surface finish
- **Integrated bracket** for valve anchoring
- Ball seat carriers can be adjusted using the **Easytorque adjustment kit**
- Possibility to have handle with integrated LSQT limit micro switch, even as a retrofit in existing installations