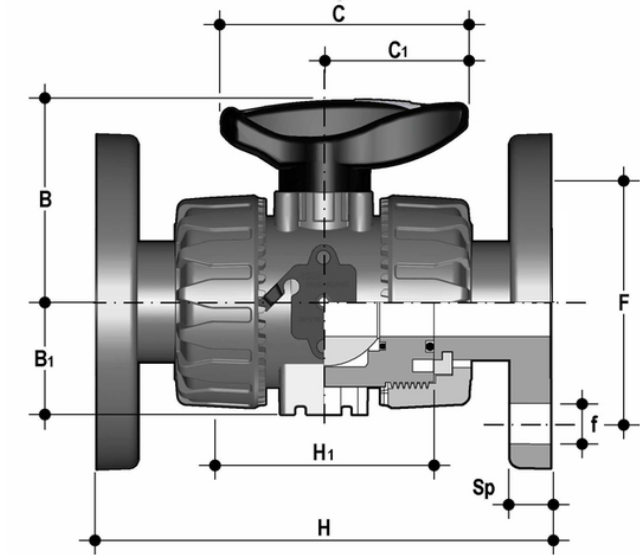


VKDOF - DUAL BLOCK® 2-way ball valve DN 10:50

DUAL BLOCK® 2-way ball valve with fixed flanges, drilled EN/ISO/DIN PN10/16. Face to face according to EN 558-1.



| Κωδικός προϊόντος | tooltipImage |
|-------------------|--------------|
| VKDOF020F | - |
| VKDOF025F | - |
| VKDOF032F | - |
| VKDOF040F | - |
| VKDOF050F | - |
| VKDOF063F | - |