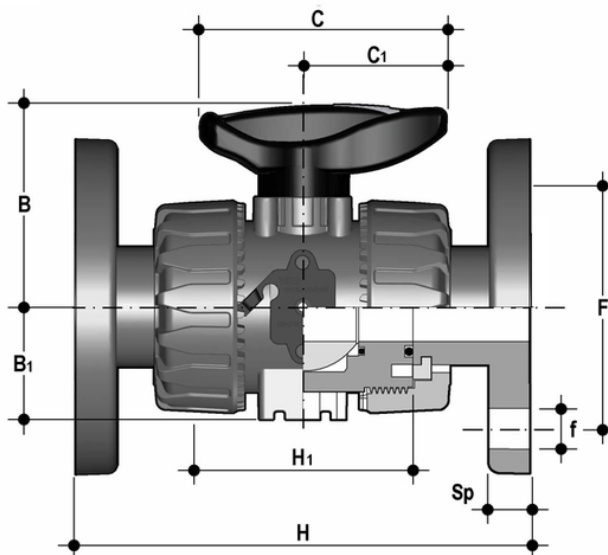


VKDOM - DUAL BLOCK® 2-way ball valve DN 10:50

DUAL BLOCK® 2-way ball valve with fixed flanges, drilled EN/ISO/DIN PN 10/16. Face to face according to EN 558-1.



EPDM

Κωδικός Προϊόντος	tooltiplmage
VKDOM020E	-
VKDOM025E	-
VKDOM032E	-
VKDOM040E	-
VKDOM050E	-
VKDOM063E	-

FKM

Κωδικός Προϊόντος	tooltiplmage
VKDOM020F	-
VKDOM025F	-
VKDOM032F	-
VKDOM040F	-
VKDOM050F	-
VKDOM063F	-