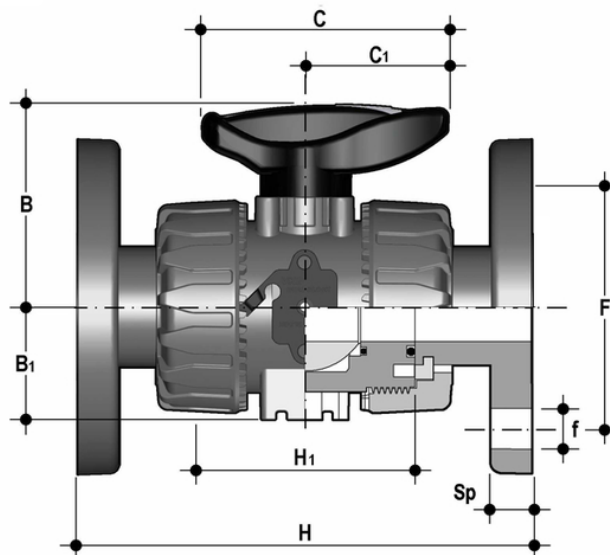


VKDOAM - DUAL BLOCK® 2-way ball valve DN 10:50

DUAL BLOCK® 2-way ball valve with fixed flange, drilled ANSI B16.5 cl.150#FF.



EPDM

Κωδικός προϊόντος

VKDOAM012E

VKDOAM034E

VKDOAM100E

VKDOAM114E

VKDOAM112E

VKDOAM200E

FKM

Κωδικός προϊόντος

VKDOAM012F

VKDOAM034F

VKDOAM100F

VKDOAM114F

VKDOAM112F

VKDOAM200F