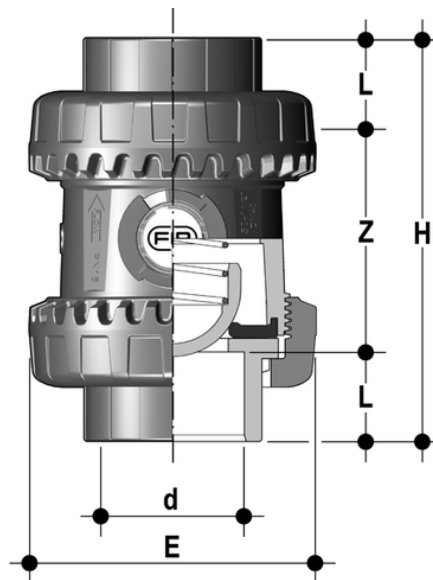


SSEIC - EASYFIT TRUE UNION SPRING Αντεπίστροφο

True Union Spring Check Valve Easyfit with metric plain socket ends for solvent welding



EPDM

| Κωδικός προϊόντος | tootiplmage | d | DN | PN | E | H | L | Z | g |
|-------------------|-------------|----|----|----|-----|-----|----|----|------|
| SSEIC016E | - | 16 | 10 | 16 | 54 | 82 | 14 | 54 | 157 |
| SSEIC020E | - | 20 | 15 | 16 | 54 | 82 | 16 | 50 | 160 |
| SSEIC025E | - | 25 | 20 | 16 | 63 | 91 | 19 | 53 | 198 |
| SSEIC032E | - | 32 | 25 | 16 | 72 | 103 | 22 | 59 | 315 |
| SSEIC040E | - | 40 | 32 | 16 | 85 | 120 | 26 | 68 | 481 |
| SSEIC050E | - | 50 | 40 | 16 | 100 | 139 | 31 | 77 | 688 |
| SSEIC063E | - | 63 | 50 | 16 | 118 | 174 | 38 | 98 | 1090 |

FKM

| Κωδικός προϊόντος | tootiplmage | d | DN | PN | E | H | L | Z | g |
|-------------------|-------------|----|----|----|-----|-----|----|----|------|
| SSEIC016F | - | 16 | 10 | 16 | 54 | 82 | 14 | 54 | 157 |
| SSEIC020F | - | 20 | 15 | 16 | 54 | 82 | 16 | 50 | 160 |
| SSEIC025F | - | 25 | 20 | 16 | 63 | 91 | 19 | 53 | 198 |
| SSEIC032F | - | 32 | 25 | 16 | 72 | 103 | 22 | 59 | 315 |
| SSEIC040F | - | 40 | 32 | 16 | 85 | 120 | 26 | 68 | 481 |
| SSEIC050F | - | 50 | 40 | 16 | 100 | 139 | 31 | 77 | 688 |
| SSEIC063F | - | 63 | 50 | 16 | 118 | 174 | 38 | 98 | 1090 |

SSEIC – EASYFIT TRUE UNION

SPRING Αντεπίστροφο

- **Customisable Labelling System: built-in LCE module** on the valve body made up of transparent protection plug and customisable tag holder using the LSE set (available as accessory). The customisation potential **lets you identify the valve on the system** according to specific needs.
- Ideal for horizontal installations: **perfect seal even with low back pressure. Silent** and durable even with strong vibrations and pulsating fluid
- PVC-C shutter and springs available made of STAINLESS steel 316, Hastelloy C276, A316 PTFE encapsulated: maximum reliability in a wide field of applications from salt water to aggressive acids
- Connection system for solvent weld and threaded joints
- Valve material compatibility (PVC-C) **with water conveyance, drinking water and other food substances according to** current regulations
- **PN16 True Union valve body** made for PVC-C injection moulding and European Directive 2014/68/EU (PED) compliant for pressurised equipment. ISO 9393 compliant test requirements
- **Short face to face dimension** according to international regulation ISO 7508 series III βshortβ and fully interchangeable with VXE DN 10Γ-50 ball valve models
- Union nuts with rack for tightening adjustment via Easyfit handle or via Easytorque adjustment kit (available as accessories)
- Can be **installed** in either a **vertical** or **horizontal** position