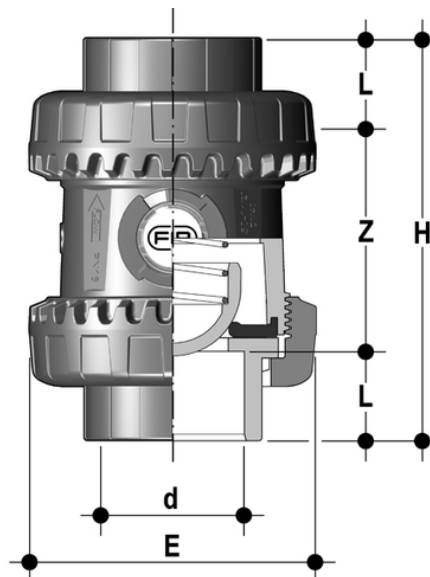


# SSEAC/A316 - Easyfit True Union spring check valve DN 10:50

Easyfit spring check valve with female ends for solvent welding, ASTM series. A316 spring.



## EPDM

Κωδικός Προϊόντος	tooltiplmage
SSEAC012E	-
SSEAC034E	-
SSEAC100E	-
SSEAC114E	-
SSEAC112E	-
SSEAC200E	-

## FKM

Κωδικός Προϊόντος	tooltiplmage
SSEAC012F	-
SSEAC034F	-
SSEAC100F	-
SSEAC114F	-
SSEAC112F	-
SSEAC200F	-