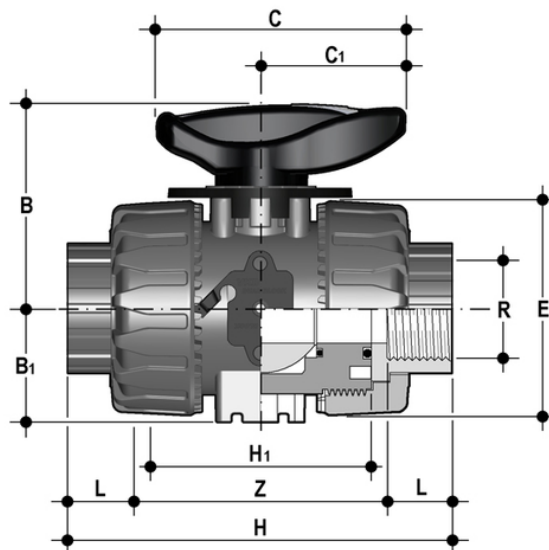


VKRNV - DUAL BLOCK® regulating ball valve DN 10:50

DUAL BLOCK® regulating ball valve with female ends, NPT thread.



EPDM

Κωδικός Προϊόντος	tooltiplmage
VKRNVO38E	-
VKRNVO12E	-
VKRNVO34E	-
VKRNV100E	-
VKRNV114E	-
VKRNV112E	-
VKRNV200E	-

FKM

Κωδικός Προϊόντος	tooltiplmage
VKRNVO38F	-
VKRNVO12F	-
VKRNVO34F	-
VKRNV100F	-
VKRNV114F	-
VKRNV112F	-
VKRNV200F	-