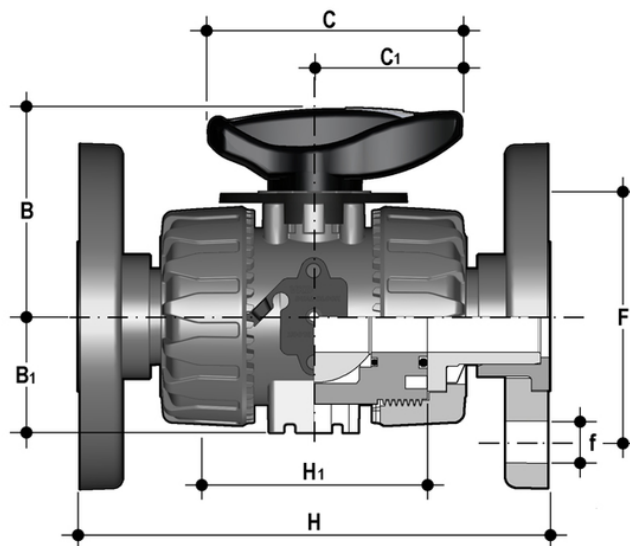


VKROV - DUAL BLOCK® regulating ball valve DN 10:50

DUAL BLOCK® regulating ball valve with EN/ISO/DIN fixed flange, drilled PN10/16. Face to face according to EN 558-1.



EPDM

Κωδικός Προϊόντος	tooltiplmage
VKROV020E	-
VKROV025E	-
VKROV032E	-
VKROV040E	-
VKROV050E	-
VKROV063E	-

FKM

Κωδικός Προϊόντος	tooltiplmage
VKROV020F	-
VKROV025F	-
VKROV032F	-
VKROV040F	-
VKROV050F	-
VKROV063F	-