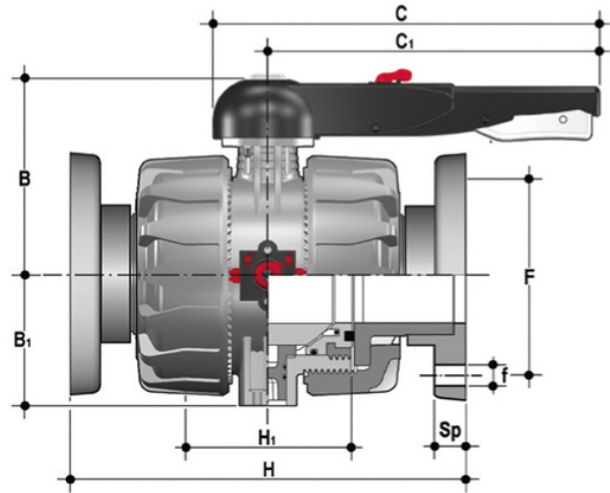


VKDOM - VKDOAM - DUAL BLOCK® 2-way ball valve DN 65:100

VKDOM: DUAL BLOCK® 2-way ball valve with fixed flanges, drilled EN/ISO/DIN PN10/16. Face to face according to EN 558-1.

VKDOAM: DUAL BLOCK® ball valve with ANSI B16.5 cl.150#FF fixed flanges*.



EPDM

Κωδικός προϊόντος	tooltiplmage
VKDOM075E	-
VKDOM090E	-
VKDOM110E	-

FKM

Κωδικός προϊόντος	tooltiplmage
VKDOM075F	-
VKDOM090F	-
VKDOM110F	-