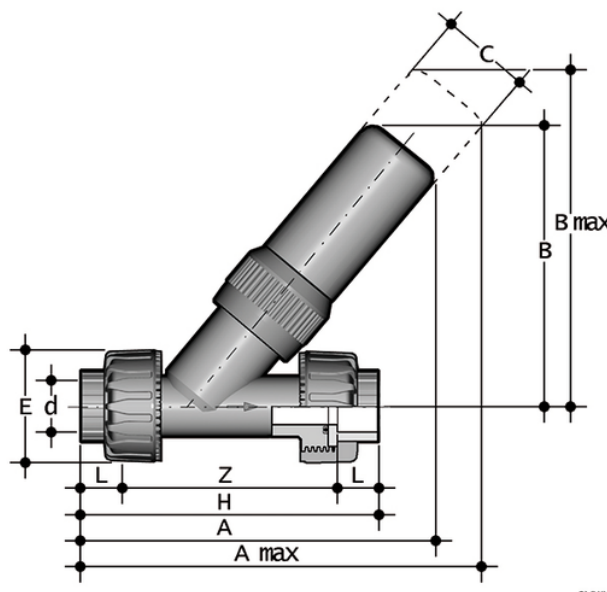


SVUIV - Βάνα Εκτόνωσης Πιέσεως

Relief valve with unionised metric plain socket ends for solvent welding



EPDM

Κωδικός προϊόντος	tootiplmage	d	DN	A	A max	B	B max	C	E	H	L	Z	g
SVUIV020E	-	20	15	153	193	118	170	34	55	135	16	103	391
SVUIV025E	-	25	20	191	271	150	220	40	66	158	19	120	633
SVUIV032E	-	32	25	226	296	175	230	48	75	176	22	132	1106

FKM

Κωδικός προϊόντος	tootiplmage	d	DN	A	A max	B	B max	C	E	H	L	Z	g
SVUIV020F	-	20	15	153	193	118	170	34	55	135	16	103	391
SVUIV025F	-	25	20	191	271	150	220	40	66	158	19	120	633
SVUIV032F	-	32	25	226	296	175	230	48	75	176	22	132	1106

SVUIV - Βάνα Εκτόνωσης Πιέσεως

- Ergonomic HIPVC handle equipped with **removable tool to adjust the ball seat carrier**.
- **Handle lock 0B°- 90B°** SHKD (available as an accessory) ergonomically operable during service and padlockable
- Robust **integrated bracket for valve anchoring**, for easy and quick automation even after valve installation on the system via the Power Quick module (optional)
- **DUAL BLOCKB** patented lock system that ensures union nut tightening hold even in severe conditions such as vibrations or heat dilation
- Machined high surface finish ball that guarantees a smooth operation and increased reliability

- Connection system for solvent weld, threaded and flanged joints
- Patented **SEAT STOPB** ball carrier system that lets you micro-adjust ball seats and minimise the axial force effect
- Easy radial dismounting allowing quick replacement of O-rings and ball seats without any need for tools
- **PN16 True Union valve body** made for rigid PVC-U injection moulding equipped with built-in bores for actuation. ISO 9393 compliant test requisites
- Option of dismounting downstream pipes with the valve in the closed position
- Floating **full bore ball** with high surface finish
- **Integrated bracket** for valve anchoring
- Ball seat carriers can be adjusted using the **Easytorque adjustment kit**
- Possibility to have handle with integrated LSQT limit micro switch, even as a retrofit in existing installations