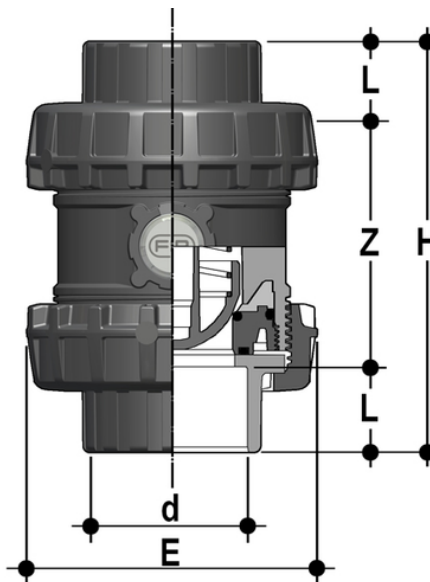


SSEAC/A316 - Easyfit True Union spring check valve DN 65:100

True Union Check Valve Easyfit with ASTM plain socket ends for solvent welding. Spring in A316.



EPDM

Κωδικός Προϊόντος	tooltiplmage
SSEAC400E	-
SSEAC212E	-
SSEAC300E	-

FKM

Κωδικός Προϊόντος	tooltiplmage
SSEAC212F	-
SSEAC300F	-
SSEAC400F	-