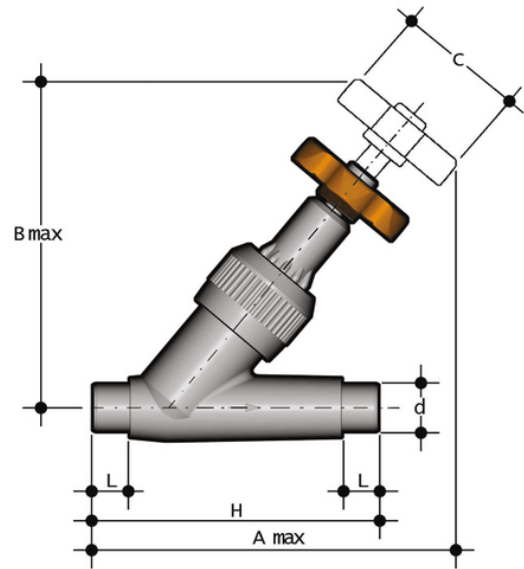


VVDV - Angle seat valve DN 10:50

Angle seat valve with male ends for solvent welding, metric series.



Κωδικός προϊόντος	tooltiplmage
VVDV016E	-
VVDV020E	-
VVDV025E	-
VVDV032E	-
VVDV040E	-
VVDV050E	-
VVDV063E	-