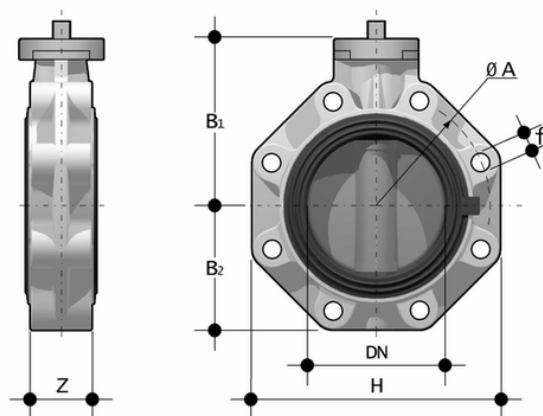


FKOF/FM LUG ANSI - Butterfly valve DN 40:400

Butterfly valve with bare shaft, version Lug ANSI.



Κωδικός προϊόντος	tooltplmage
FKOALFFM212F	-
FKOALFFM300F	-
FKOALFFM400F	-
FKOALFFM500F	-
FKOALFFM600F	-
FKOALFFM800F	-
FKOALFFM810F	-
FKOALFFM812F	-