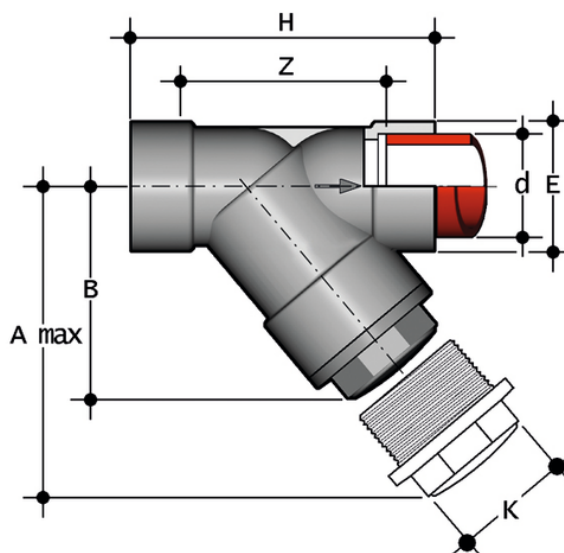


# RVIM - Φίλτρο Ιζημάτων

Sediment strainer with female ends for socket welding, metric series



## EPDM

Κωδικός προϊόντος	tooltiplmage	d	DN	PN	A max	B	E	H	K	Z	Fig.	g
RVIM075E	-	75	65	6	300	176	103	241	96	179	B	1580
RVIM090E	-	90	80	4	325	193	115	260	105	189	B	1920
RVIM110E	-	110	100	4	385	229	138	323	-	240	C	3000

## FKM

Κωδικός προϊόντος	tooltiplmage	d	DN	PN	A max	B	E	H	K	Z	Fig.	g
RVIM075F	-	75	65	6	300	176	103	241	96	179	B	1580
RVIM090F	-	90	80	4	325	193	115	260	105	189	B	1920
RVIM110F	-	110	100	4	385	229	138	323	-	240	C	3000



## RVIM - Φίλτρο Ιζημάτων

- Connection system for weld, threaded and flanged joints
- **Strainer** assembled on an **easily removed support** that facilitates cleaning or replacement
- **Valve material compatibility** (PP-H) with water conveyance, drinking water and other food substances according to **current regulations**
- Can be maintained with the valve body installed