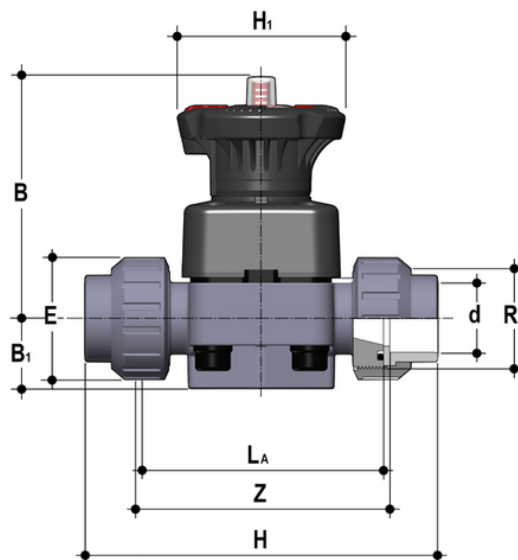


# DKUIV - DIALOCKB 2-way Βάνα Διαφράγματος

DIALOCK<sup>B</sup> diaphragm valve with female union ends for solvent welding, metric series



## EPDM

Κωδικός Προϊόντος	tooltiplmage	d	DN	PN	B	B[5:1]	E	H	H[5:1]	La	R[5:1]	Z	g
DKUIV020E	-	20	15	10	102	25	41	129	80	90	1&quot;	100	500
DKUIV025E	-	25	20	10	105	30	50	154	80	108	1&quot;1/4	116	562
DKUIV032E	-	32	25	10	114	33	58	168	80	116	1&quot;1/2	124	790
DKUIV040E	-	40	32	10	119	30	72	192	80	134	2&quot;	140	916
DKUIV050E	-	50	40	10	149	35	79	222	120	154	2&quot;1/4	160	1768
DKUIV063E	-	63	50	10	172	46	98	266	120	184	2&quot;3/4	190	2668

## EPDM

Κωδικός Προϊόντος	tooltiplmage	d	DN	PN	B	B[5:1]	E	H	H[5:1]	La	R[5:1]	Z	g
DKUIV020E0SF	-	20	15	10	102	25	41	129	80	90	1&quot;	100	500
DKUIV025E0SF	-	25	20	10	105	30	50	154	80	108	1&quot;1/4	116	562
DKUIV032E0SF	-	32	25	10	114	33	58	168	80	116	1&quot;1/2	124	790
DKUIV040E0SF	-	40	32	10	119	30	72	192	80	134	2&quot;	140	916
DKUIV050E0SF	-	50	40	10	149	35	79	222	120	154	2&quot;1/4	160	1768
DKUIV063E0SF	-	63	50	10	172	46	98	266	120	184	2&quot;3/4	190	2668

## FKM

# DKUIV - DIALOCKB 2-way Βάνα Διαφράγματος

Κωδικός Προϊόντος	tooltiplmage	d	DN	PN	B	B[5:1]	E	H	H[5:1]	La	R[5:1]	Z	g
DKUIV020F	-	20	15	10	102	25	41	129	80	90	1&quot;	100	500
DKUIV025F	-	25	20	10	105	30	50	154	80	108	1&quot;1/4	116	562
DKUIV032F	-	32	25	10	114	33	58	168	80	116	1&quot;1/2	124	790
DKUIV040F	-	40	32	10	119	30	72	192	80	134	2&quot;	140	916
DKUIV050F	-	50	40	10	149	35	79	222	120	154	2&quot;1/4	160	1768
DKUIV063F	-	63	50	10	172	46	98	266	120	184	2&quot;3/4	190	2668

## PTFE

Κωδικός Προϊόντος	tooltiplmage	d	DN	PN	B	B[5:1]	E	H	H[5:1]	La	R[5:1]	Z	g
DKUIV020P	-	20	15	10	102	25	41	129	80	90	1&quot;	100	500
DKUIV025P	-	25	20	10	105	30	50	154	80	108	1&quot;1/4	116	562
DKUIV032P	-	32	25	10	114	33	58	168	80	116	1&quot;1/2	124	790
DKUIV040P	-	40	32	10	119	30	72	192	80	134	2&quot;	140	916
DKUIV050P	-	50	40	10	149	35	79	222	120	154	2&quot;1/4	160	1768
DKUIV063P	-	63	50	10	172	46	98	266	120	184	2&quot;3/4	190	2668

## PTFE

Κωδικός Προϊόντος	tooltiplmage	d	DN	PN	B	B[5:1]	E	H	H[5:1]	La	R[5:1]	Z	g
DKUIV020POSF	-	20	15	10	102	25	41	129	80	90	1&quot;	100	500
DKUIV025POSF	-	25	20	10	105	30	50	154	80	108	1&quot;1/4	116	562
DKUIV032POSF	-	32	25	10	114	33	58	168	80	116	1&quot;1/2	124	790
DKUIV040POSF	-	40	32	10	119	30	72	192	80	134	2&quot;	140	916
DKUIV050POSF	-	50	40	10	149	35	79	222	120	154	2&quot;1/4	160	1768
DKUIV063POSF	-	63	50	10	172	46	98	266	120	184	2&quot;3/4	190	2668

# DKUIV - DIALOCKB 2-way Βάνα Διαφράγματος

- **High visibility graduated optical position indicator** protected by a transparent cap with seal O-Ring
  - **Customisation plate:** the customisation lets you identify the valve on the system according to specific needs
  - **DIALOCKB SYSTEM:** innovative handwheel with a patented immediate and ergonomic operating locking device that allows it **to be adjusted and locked in over 300 positions**
  - **Handwheel and bonnet in** high mechanical strength and chemically resistant **PP-GR**, providing full protection by isolating all internal metal parts from contact with external agents
  - **Floating pin connection** between the control screw and diaphragm to prevent concentrated loads, improve the seal and extend its lifetime
  - **New design of valve body interior: substantially increased flow coefficient** and reduced pressure drop. The degree of efficiency reached has also **enabled the size and weight of the valve to be reduced**
  - **Adjustment linearity:** the internal profiles of the valve also greatly improve its characteristic curve, resulting in **extremely sensitive and precise adjustment** along the entire stroke of the shutter
  - **Valve anchoring** bracket **integrated in the body**, with threaded metal inserts allowing **simple panel or wall mounting** using the PMDK mounting plate (supplied as an accessory)
- Connection system for solvent weld, threaded and flanged joints
  - **Optimised fluid dynamic design:** maximum output flow rate thanks to the optimised efficiency of the fluid dynamics that characterise the new internal geometry of the body
  - **Internal components in metal, totally isolated from the fluid** and external environment
  - **Modularity of the range:** only 2 handwheel and 4 diaphragm and bonnet sizes for 7 different valve sizes
  - Non-rising handwheel that stays at the same height during rotation, equipped with a graduated optical indicator protected by a transparent PVC cap with seal O-Ring
  - Bonnet fastening screws in stainless steel protected against the external environment by PE plugs. Absence of metal parts exposed to the external environment to prevent any risk of corrosion.
  - **CDSA** (Circular Diaphragm Sealing Angle) system that, thanks to the uniform distribution of shutter pressure on the diaphragm seal, offers the following advantages:
    - reduction in the tightening torque of the screws fixing the actuator to the valve body
    - reduced mechanical stress on all valve components (actuator, body and diaphragm)
    - easy to clean valve interior
    - low risk of the accumulation of deposits, contamination or damage to the diaphragm due to crystallisation
    - operating torque reduction