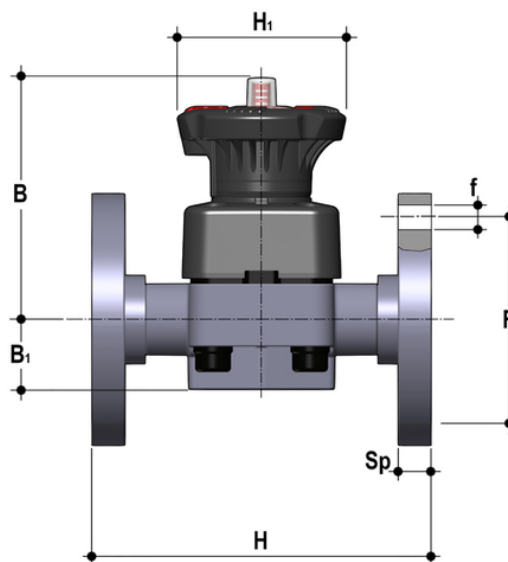


DKOV - DIALOCK® 2-way diaphragm valve DN 15:65

DIALOCK® diaphragm valve with flanged monolithic body, drilled PN10/16. Face to face according to EN 558-1.



EPDM

Κωδικός Προϊόντος	tooltiplmage
DKOV020E	-
DKOV025E	-
DKOV032E	-
DKOV040E	-
DKOV050E	-
DKOV063E	-
DKOV075E	-

FKM

Κωδικός Προϊόντος	tooltiplmage
DKOV020F	-
DKOV025F	-
DKOV032F	-
DKOV040F	-
DKOV050F	-
DKOV063F	-
DKOV075F	-

DKOV - DIALOCK® 2-way diaphragm valve DN 15:65

PTFE

Κωδικός προϊόντος	tooltiplmage
DKOV032P	-
DKOV040P	-
DKOV050P	-
DKOV063P	-
DKOV075P	-
DKOV020P	-
DKOV025P	-