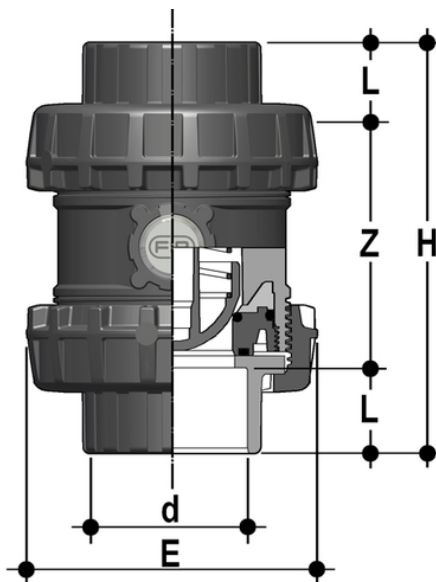


# SSELV/A316 – Easyfit True Union ball and spring check valve DN 65:100

Easyfit spring check valve with female ends for solvent welding, BS series. A316 spring. Diameter d 2 1/2" BS is equal to d75 metric (code SSEIV075E / SSEIV075F).



## EPDM

Κωδικός Προϊόντος	tooltiplmage
SSELV300E	-
SSELV400E	-

## FKM

Κωδικός Προϊόντος	tooltiplmage
SSELV300F	-
SSELV400F	-