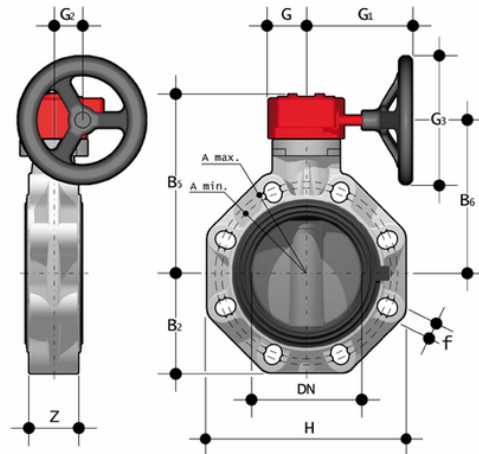


FKOC/RM - Βάνες Πεταλούδα

Gearbox operated Butterfly valve



EPDM

Κωδικός Προϊόντος	tooltiplmage	d - Size	DN	PN	A min	A max	product.detail.attribute.øA	B[5:2]	B[5:5]	B[5:6]	G	G[5:1]	G[5:2]	G[5:3]	H	U
FKOCRM075E	-	75 - 2"1/2	65	10	128	144	-	80	174	146	48	135	39	125	165	4
FKOACRM810E	-	10"	**250	10	-	362	350	210	317	281	88	236	-	250	405	12
FKOCRM315E	-	315	*300	8	390	432	400	245	374	338	88	236	76	250	475	12
FKOCRM280E	-	280	*250	10	335	362	350	210	317	281	88	236	76	250	405	8
FKOCRM225E	-	225	200	10	280	298	-	161	287	256	65	204	60	200	323	8
FKOCRM160E	-	160 - 6"	150	10	230	242	-	134	235	207	48	144	39	200	268	8
FKOCRM140E	-	140 - 5"	125	10	204	215	-	120	222	194	48	144	39	200	240	8
FKOCRM110E	-	110 - 4"	100	10	165	190	-	107	202	174	48	135	39	125	211	8
FKOCRM090E	-	90 - 3"	80	10	145	160	-	93	188	160	48	135	39	125	185	12
FKOACRM812E	-	12"	**300	8	-	431,8	450	245	374	338	88	236	-	250	475	12

FKM

Κωδικός Προϊόντος	tooltiplmage
FKOCRM075F	-

FKOC/RM - Βάνες Πεταλούδα

Κωδικός Προϊόντος	tooltipImage
FKOACRM810F	-
FKOCRM315F	-
FKOCRM280F	-
FKOCRM225F	-
FKOCRM160F	-
FKOCRM140F	-
FKOCRM110F	-
FKOCRM090F	-
FKOACRM812F	-

FKM

Κωδικός Προϊόντος	tooltipImage
FKOCRM075F0SF	-
FKOCRM090F0SF	-
FKOCRM110F0SF	-
FKOCRM140F0SF	-
FKOCRM160F0SF	-

FKOC/RM - Βάνες Πεταλούδα

- Ergonomic handle in **HIPVC** equipped with **locking and unlocking device, release, quick operation and graduated adjustment** in 10 intermediate positions (DN 40Γ·200). The operating range, starting from the first few degrees of valve opening, also guarantees extremely low pressure drops.
- **Customisable Labelling System**: integrated module in the handle, made of a transparent protection plug and a customisable tag holder using the LSE set (available as an accessory). The **customisation** lets you **identify the valve on the system** according to specific needs.
- **STAINLESS steel square section stem** completely isolated from the fluid complying with standard **ISO 5211**: **EDN 40Γ·65**: 11 mm **EDN 80Γ·100**: 14 mm **EDN 125Γ·150**: 17 mm **EDN 200**: 22 mm **EDN 250Γ·300**: 27 mm
- **Body** in polypropylene based **compound reinforced with fibreglass (PP-GR)** **resistant to UV rays** and characterised by **high mechanical strength**.
- **Drilling pattern using oval slots** that allow coupling to flanges according to numerous international standards. The special **self-centring inserts in ABS** supplied for DN 40Γ·200 guarantee the **correct axial alignment** of the valve during installation. For DN 250Γ·400 valves, the drilling pattern for the selfcentring system is of the traditional type according to DIN and ANSI standards.
- **Interchangeable liner** with the dual function of forming a hydraulic seal and isolating the body from the fluid.
- Interchangeable Disk in PVC-C with through shaft, available in different thermoplastic materials: PVC-U, PP-H, ABS, PVDF
- Overall dimensions of the valve in accordance with standard ISO 5752 (DN 40Γ·200 Medium Series 25, DN 250Γ·300 Long Series 16) and DIN 3202 K2 and ISO 5752 (DN 65Γ·200 K2, DN 250Γ·300 K3)
- Can also be installed as an end line valve, bottom discharge valve or tank dump valve
- **Special Lug version PN 10** fully drilled to DIN 2501 or ANSI B16.5 cl.150 with **molded-in AISI 316 stainless steel threaded inserts**
- Possibility of installing a manual reducer or pneumatic and/or electric actuators by applying ISO standard drilling pattern PP-GR flanges. DN 40 Γ·200 valve fitted with plate with rack in PP-GR. For actuated versions with flange drilled according to ISO 5211 F05, F07, F10
- DN 250Γ·300 valve, fitted with one-piece top flange in high mechanical strength PP-GR with mounting flange for internal components with drilling according to standard ISO 5211 F10, F12, F14
- Possibility to have handle with integrated LSQT limit micro switch, even as a retrofit in existing installations