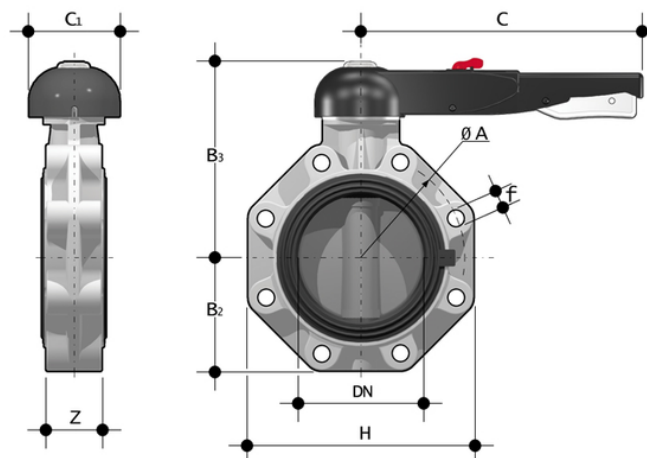


FKOV/LM LUG ANSI - Βάνα Πεταλούδα

Hand operated Butterfly valve, version Lug ANSI



EPDM

Κωδικός προϊόντος	tooltiplmage
FKOALVLM212E	-
FKOALVLM300E	-
FKOALVLM400E	-
FKOALVLM500E	-
FKOALVLM600E	-
FKOALVLM800E	-

FKM

Κωδικός Προϊόντος	tooltiplmage	d	DN	PN	product.detail.attribute.øA	B[5:2]	B[5:3]	C	C[5:1]	f	H	U	Z	g
FKOALVLM212F	-	2" 1/2	65	10	139,7	119	80	175	110	5/8"	165	4	46	1970
FKOALVLM300F	-	3"	80	10	152,4	133	93	175	110	5/8"	185	12	49	2820
FKOALVLM400F	-	4"	100	10	190,5	147	107	272	110	5/8"	211	8	56	3170
FKOALVLM500F	-	5"	125	10	215,9	167	120	330	110	3/4"	240	8	64	4900
FKOALVLM600F	-	6"	150	10	241,3	180	134	330	110	3/4"	268	8	70	5700
FKOALVLM800F	-	8"	200	10	298,4	227	161	420	122	3/4"	323	8	71	8650

FKM

FKOV/LM LUG ANSI - Βάνα Πεταλούδα

Κωδικός Προϊόντος	tooltiplimage	d	DN	PN	product.detail.attribute.øA	B[5:2]	B[5:3]	C	C[5:1]	f	H	U	Z	g
FKOALVLM212F0SF	-	2" 1/2	65	10	139,7	119	80	175	110	5/8"	165	4	46	1970
FKOALVLM300F0SF	-	3"	80	10	152,4	133	93	175	110	5/8"	185	12	49	2820
FKOALVLM400F0SF	-	4"	100	10	190,5	147	107	272	110	5/8"	211	8	56	3170
FKOALVLM500F0SF	-	5"	125	10	215,9	167	120	330	110	3/4"	240	8	64	4900
FKOALVLM600F0SF	-	6"	150	10	241,3	180	134	330	110	3/4"	268	8	70	5700

FKOV/LM LUG ANSI - Βάνα

Πεταλούδα

- **Ergonomic handle** in HIPVC equipped with **locking and unlocking device, release, quick operation and graduated adjustment** in 10 intermediate positions (DN 40Γ-200). The operating range, starting from the first few degrees of valve opening, also guarantees extremely low pressure drops.
- **Customisable Labelling System:** integrated module in the handle, made of a transparent protection plug and a customisable tag holder using the LSE set (available as an accessory). The **customisation** lets you **identify the valve on the system** according to specific needs.
- **STAINLESS steel square section stem** completely isolated from the fluid complying with standard ISO 5211: DN 40Γ-65: 11 mm DN 80Γ-100: 14 mm DN 125Γ-150: 17 mm DN 200: 22 mm DN 250Γ-400: 27 mm
- **Body** in polypropylene based **compound reinforced with fibreglass (PP-GR)** **resistant to UV rays** and characterised by **high mechanical strength**.
- **Drilling pattern using oval slots** that allow coupling to flanges according to numerous international standards. The special **self-centring inserts in ABS** supplied for DN 40Γ-200 guarantee the **correct axial alignment** of the valve during installation. For DN 250Γ-400 valves, the drilling pattern for the selfcentring system is of the traditional type according to DIN and ANSI standards.
- **Interchangeable liner** with the dual function of forming a hydraulic seal and isolating the body from the fluid.
- Interchangeable disk in PVC-U with through shaft, available in different thermoplastic materials: PP-H, PVC-C, ABS, PVDF Overall dimensions of the valve in accordance with standard ISO 5752 (DN 40Γ-200 Medium Series 25, DN 250Γ-300 Long Series 16) and DIN 3202 K2 and ISO 5752 (DN 65Γ-200 K2, DN 250Γ-300 K3) Can also be installed as an end line valve, bottom discharge valve or tank dump valve [1:Special Lug version] PN 10 fully drilled to DIN 2501 or ANSI B16.5 cl.150 with [1:molded-in AISI 316 STAINLESS steel threaded inserts] [1:Valve material compatibility](PVC-U + EPDM) with water conveyance, drinking water and other food substances according to [1:current regulations] Possibility of installing a manual reducer or pneumatic and/or electric actuators by applying an ISO standard drilling PP-GR flanges. DN 40 Γ- 200 valve fitted with plate with rack in PP-GR. For actuated versions with flange drilled according to ISO 5211 F05, 07, F10. DN 250Γ-400 valve, fitted with one-piece top flange in high mechanical strength PP-GR with mounting flange for internal components drilled according to standard ISO 5211 F10 (excluding DN 350Γ-400), F12, F14. Possibility to have handle with integrated LSQT limit micro switch, even as a retrofit in existing installations