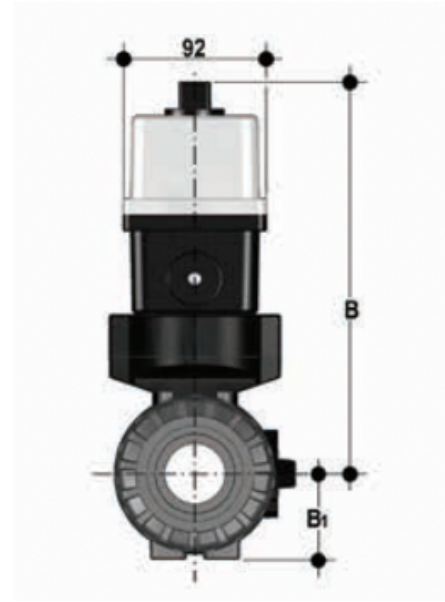
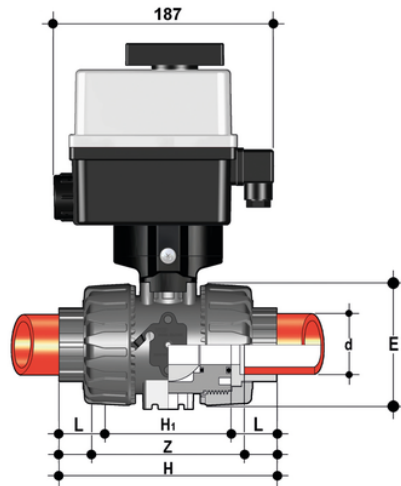


VKRIF/CE 90-240 V AC 4-20 mA - electrically actuated DUAL BLOCK® regulating ball valve

Electrically actuated DUAL BLOCK® regulating ball valve with metric plain socket ends for socket welding and modulating electric actuator multivolt 90-240 V AC 50-60 Hz.



Κωδικός προϊόντος

VKRIFEM016FOE

VKRIFEM020FOE

VKRIFEM025FOE

VKRIFEM032FOE

VKRIFEM040FOE

VKRIFEM050FOE

VKRIFEM063FOE