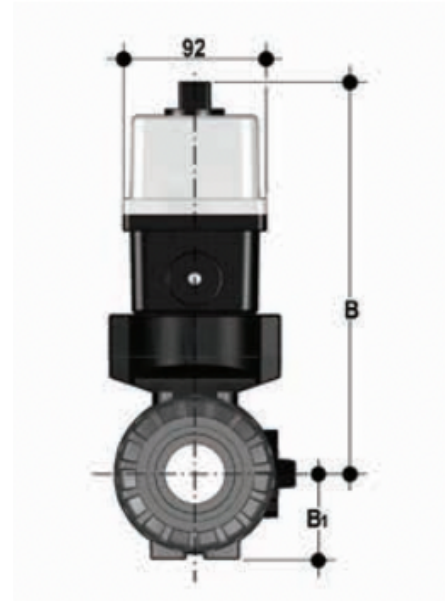
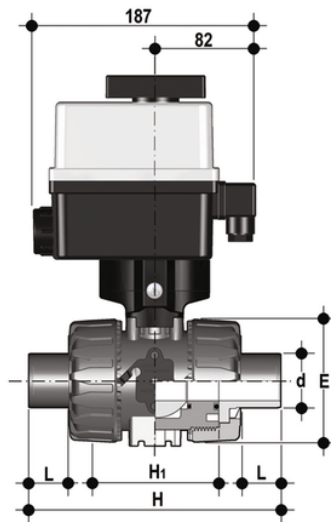


VKRDF/CE 90-240 V AC 4-20 mA - electrically actuated DUAL BLOCK® regulating ball valve

Electrically actuated DUAL BLOCK® regulating ball valve with metric plain spigot ends for socket welding and modulating electric actuator multivolt 90-240 V AC 50-60 Hz.



Κωδικός προϊόντος

VKRDFEM020FOE

VKRDFEM025FOE

VKRDFEM032FOE

VKRDFEM040FOE

VKRDFEM050FOE

VKRDFEM063FOE