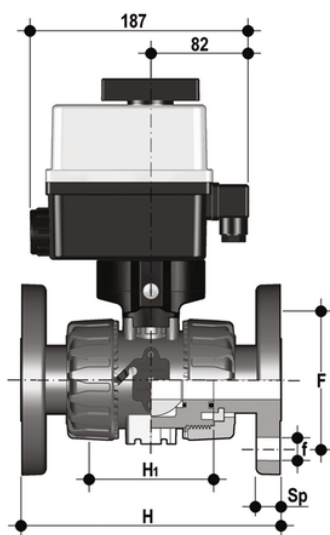


# VKROM/CE 90-240 V AC 4-20 mA - electrically actuated DUAL BLOCK® regulating ball valve

Electrically actuated DUAL BLOCK® regulating ball valve with DIN 2501 - EN 1092 fixed flanges, face to face according to EN 558-1 and modulating electric actuator multivolt 90-240 V AC 50-60 Hz.



## EPDM

### Κωδικός Προϊόντος

VKROMEM020E0E

VKROMEM025E0E

VKROMEM032E0E

VKROMEM040E0E

VKROMEM050E0E

VKROMEM063E0E

## VKROM/CE 90-240 V AC 4-20 mA - electrically actuated DUAL BLOCK® regulating ball valve

### Κωδικός Προϊόντος

VKROMEM020F0E

VKROMEM025F0E

VKROMEM032F0E

VKROMEM040F0E

VKROMEM050F0E

VKROMEM063F0E