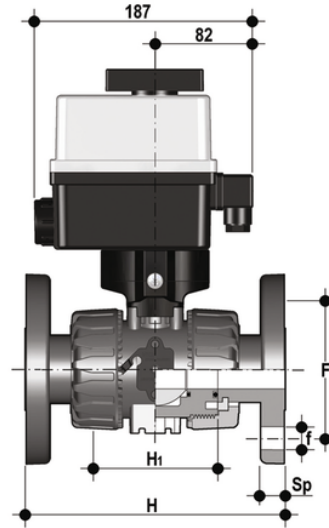


# VKDOAF/CE 90-240 V AC – electrically actuated DUAL BLOCK® 2-way ball valve

Electrically actuated DUAL BLOCK® ball valve with ANSI B16.5 cl.150#FF fixed flanges and electric actuator multivolt 90-240 V AC 50-60 Hz.



Κωδικός προϊόντος	tooltiplmage
VKDOAFEM012F	-
VKDOAFEM034F	-
VKDOAFEM100F	-
VKDOAFEM112F	-
VKDOAFEM114F	-
VKDOAFEM200F	-