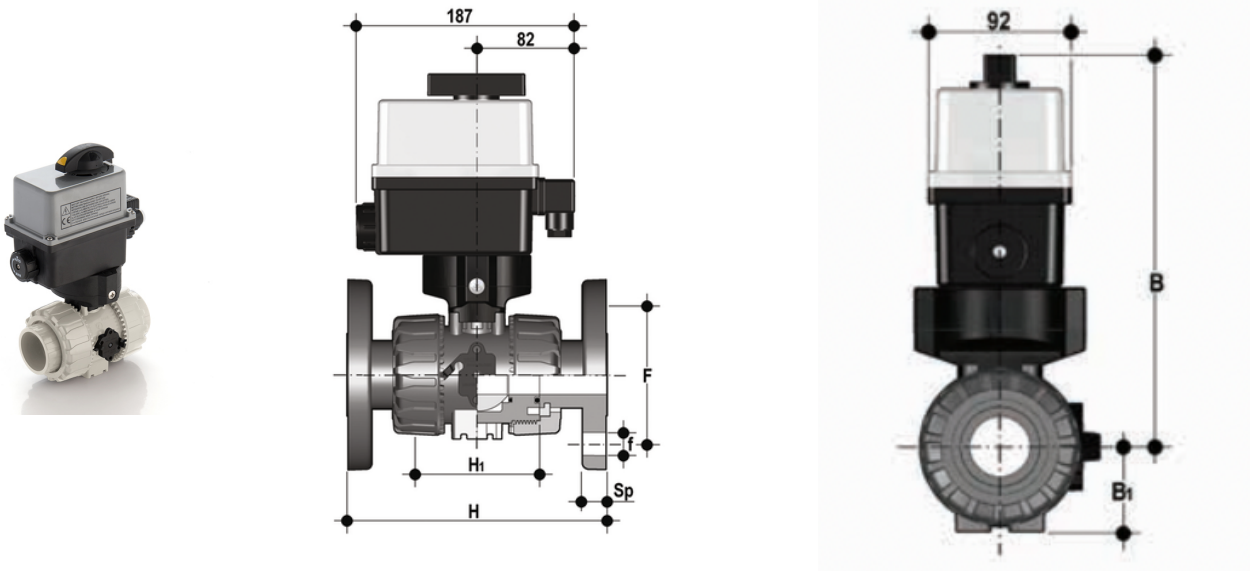


# VKROM/CE 24 V AC/DC 4-20 mA - electrically actuated DUAL BLOCK® regulating ball valve

Electrically actuated DUAL BLOCK® regulating ball valve with DIN 2501 - EN 1092 fixed flanges, face to face according to EN 558-1 and modulating electric actuator 24 V AC/DC.



## EPDM

### Κωδικός Προϊόντος

VKROMEL020EOE

VKROMEL025EOE

VKROMEL032EOE

VKROMEL040EOE

VKROMEL050EOE

VKROMEL063EOE

## FKM

### Κωδικός Προϊόντος

VKROMEL020FOE

VKROMEL025FOE

VKROMEL032FOE

VKROMEL040FOE

VKROMEL050FOE

VKROMEL063FOE