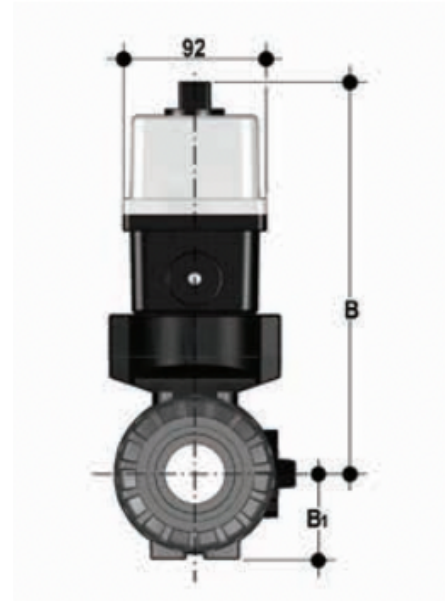
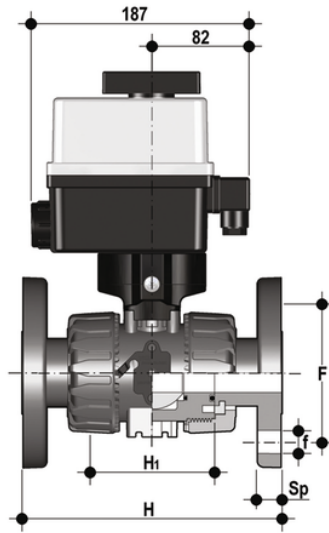


VKROF/CE 90-240 V AC 4-20 mA - electrically actuated DUAL BLOCK® regulating ball valve

Electrically actuated DUAL BLOCK® regulating ball valve with with DIN 2501 - EN 1092 fixed flanges, face to face according to EN 558-1 and modulating electric actuator multivolt 90-240 V AC 50-60 Hz.



Κωδικός προϊόντος

VKROFEM020FOE

VKROFEM025FOE

VKROFEM032FOE

VKROFEM040FOE

VKROFEM050FOE

VKROFEM063FOE