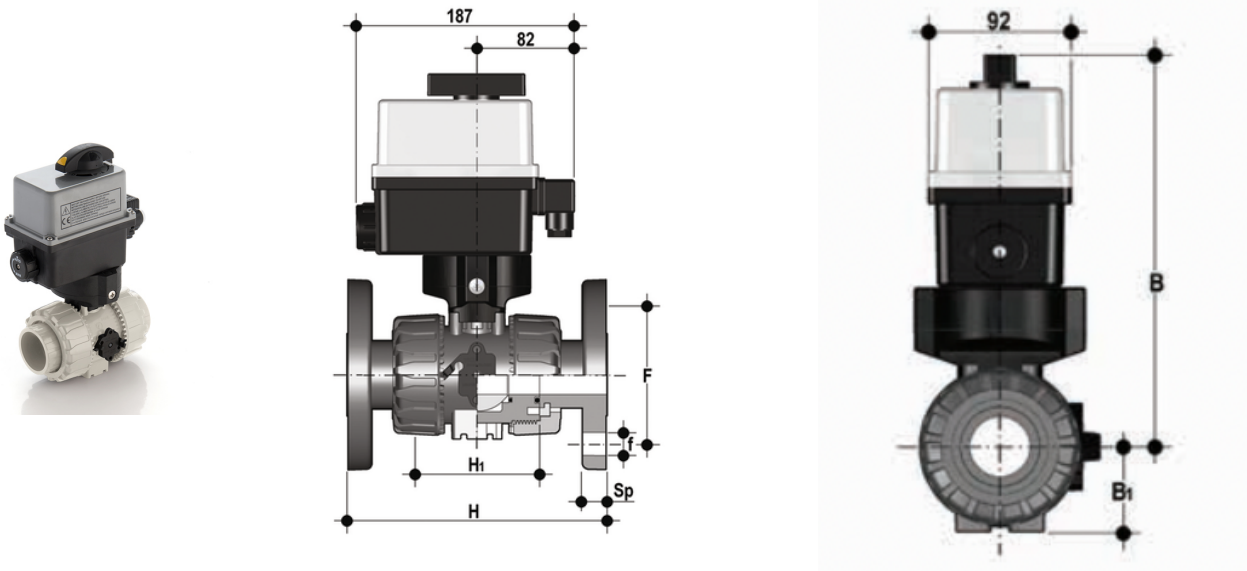


# VKROAM/CE 90-240 V AC 4-20 mA - electrically actuated DUAL BLOCK<sup>®</sup> regulating ball valve

Electrically actuated DUAL BLOCK<sup>®</sup> regulating ball valve with ANSI B.16.5 cl.150 #FF fixed flanges and modulating electric actuator multivolt 90-240 V AC 50-60 Hz.



## EPDM

Κωδικός Προϊόντος	tootiplmage
VKROAMEM012E0E	-
VKROAMEM034E0E	-
VKROAMEM100E0E	-
VKROAMEM114E0E	-
VKROAMEM112E0E	-
VKROAMEM200E0E	-

## FKM

Κωδικός Προϊόντος	tootiplmage
VKROAMEM012F0E	-
VKROAMEM034F0E	-
VKROAMEM100F0E	-
VKROAMEM112F0E	-
VKROAMEM114F0E	-
VKROAMEM200F0E	-