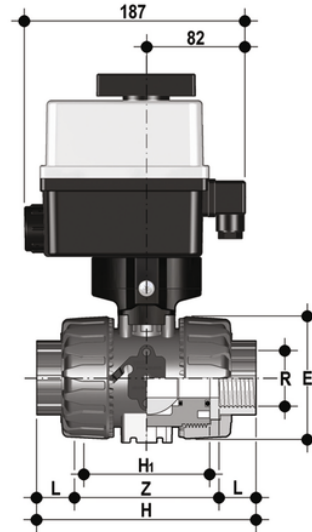


VKDFM/CE 90-240 V AC - electrically actuated DUAL BLOCK® 2-way ball valve

Electrically actuated DUAL BLOCK® ball valve with BS parallel socket threaded ends and electric actuator multivolt 90-240 V AC 50-60 Hz.



EPDM

Κωδικός προϊόντος

VKDFMEM012E

VKDFMEM034E

VKDFMEM100E

VKDFMEM114E

VKDFMEM112E

VKDFMEM200E

FKM

Κωδικός προϊόντος

VKDFMEM012F

VKDFMEM034F

VKDFMEM100F

VKDFMEM114F

VKDFMEM112F

VKDFMEM200F