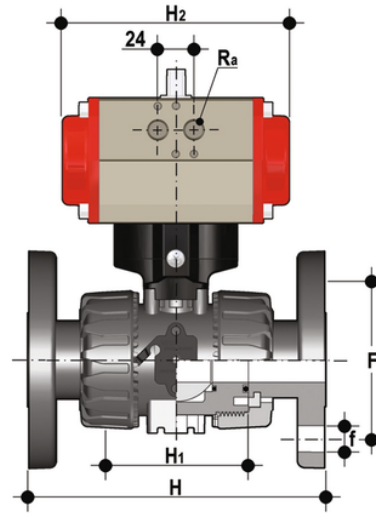


VKDOF/CP NC – pneumatically actuated DUAL BLOCK® 2-way ball valve

Pneumatically actuated DUAL BLOCK® ball valve with DIN 2501 - EN 1092 fixed flanges, face to face according to EN 558-1, Normally Closed.



Κωδικός προϊόντος

VKDOFNC020F

VKDOFNC025F

VKDOFNC032F

VKDOFNC040F

VKDOFNC050F

VKDOFNC063F