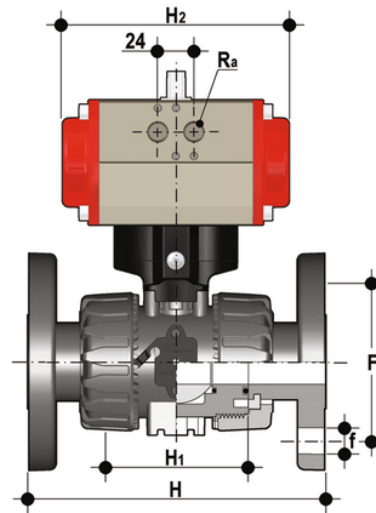
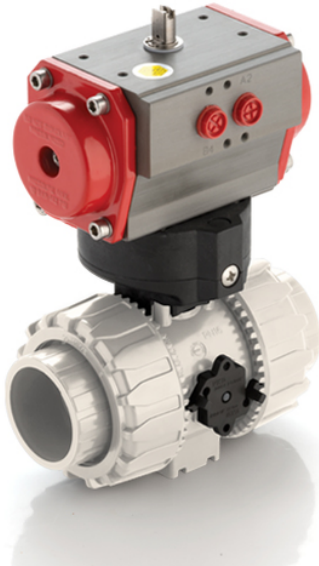


VKDOM/CP DA - pneumatically actuated DUAL BLOCK® 2-way ball valve

Pneumatically actuated DUAL BLOCK® ball valve with DIN 2501 - EN 1092 fixed flanges, face to face according to EN 558-1, Double Acting.



EPDM

Κωδικός Προϊόντος

VKDOMDA020E

VKDOMDA025E

VKDOMDA032E

VKDOMDA040E

VKDOMDA050E

VKDOMDA063E

FKM

Κωδικός Προϊόντος

VKDOMDA020F

VKDOMDA025F

VKDOMDA032F

VKDOMDA040F

VKDOMDA050F

VKDOMDA063F